

Steel Plugmold® Raceway & Multioutlet Assemblies

Steel Plugmold® Multioutlet Systems are available in a wide selection of lengths and fittings and a variety of finishes to provide a versatile solution for many applications. Steel Plugmold options include single or alternating circuits, standard, or isolated ground receptacles, Snapicoil® harnesses of prewired receptacles, and cord-ended units.

Steel Plugmold® Multioutlet Systems are available in either a black or ivory ScuffCoat™ finish, a white or gray painted enamel finish, or in rugged stainless steel. The ScuffCoat finish is scratch resistant and protects against nicks and chips while preventing color from fading. The enamel finishes are neutral colors that work with many types of decor or can be painted to integrate with most color schemes. Stainless steel Plugmold raceway is both durable and aesthetically pleasing.



Plugmold systems are available in a variety of colors and configurations.

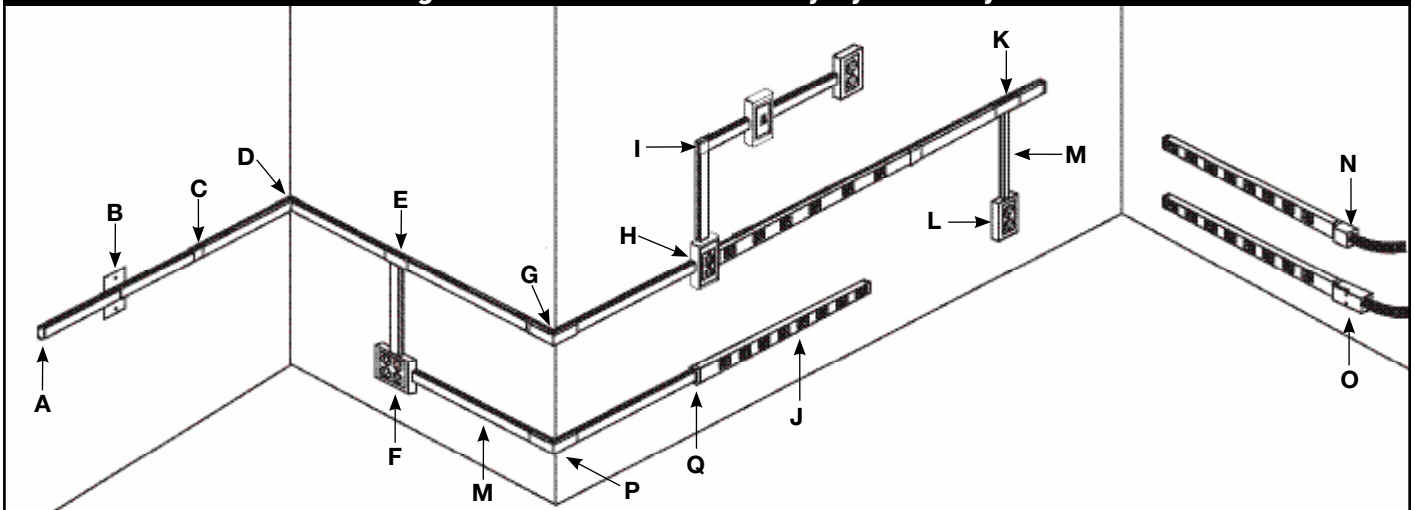
FEATURES & BENEFITS

- **GFCI protection.** Provides protection to the entire strip and any other receptacles downstream.
- **USB Charging.** Charge mobile devices quickly with two charging ports. (2.4 Amps combined.)
- **Steel construction.** Provides superior strength and durability for any dry location installation.
- **Many finishes.** Choose from black or ivory ScuffCoat finish, white or gray enamel, or stainless steel.
- **Compact, low profile appearance.** Enhanced aesthetics and ideal for installations within minimal space.
- **Full range of fittings.** Provides flexibility for multiple wiring solutions and installation options.
- **Single, alternating circuit, and isolated ground receptacles available.** Wiring options to meet virtually any job requirement.
- **Variety of lengths.** Installed power in different sized spaces and locations.
- **Receptacle spacing options.** Select the right configuration for your application.
- **Snapicoil harnesses with different lengths and receptacle spacing.** Offers a solution for many electrical requirements.
- **Tamper-resistant.** Tamper-resistant Plugmold Multioutlet Systems meet 2011 NEC section 406 requirements.
- **Duplex receptacle.** Aesthetically pleasing, functional 20A duplex receptacles are available for the 24S (2400) Series.
- **Single- and dual-gang boxes available.** Wire devices directly into the raceway system.
- **Customization available.** Plugmold raceways and multiputlet systems can be modified to accommodate virtually any application or aesthetic need.
- **cULus Listed.** Safety and reliability in the applications.



Steel Plugmold systems shown in typical applications.

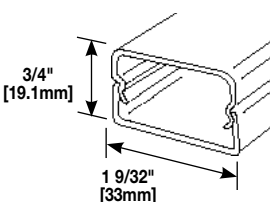
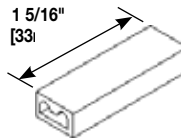
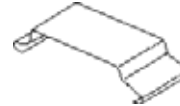
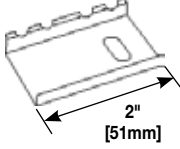
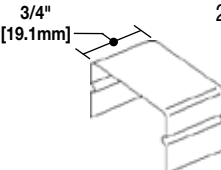
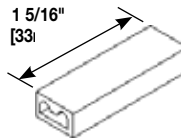
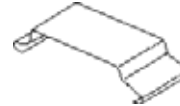
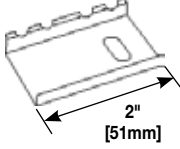
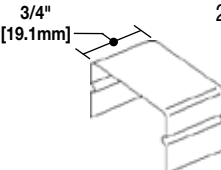
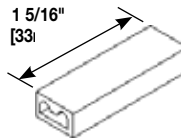
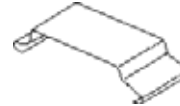
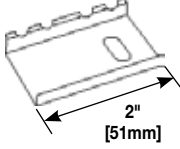
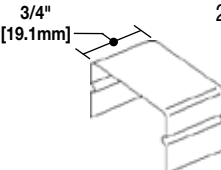
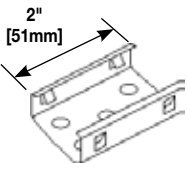
Plugmold 2000 Series Raceway System Layout



- | | | |
|---|---|--|
| <p>A — 2010B Blank End Fitting</p> <p>B — 2051H Flush Plate Adapter</p> <p>C — 2006 Cover Clip</p> <p>D — 2017TC Internal Corner Coupling</p> <p>E — 2015 Tee Fitting</p> <p>F — 2048-2 Two-Gang Device Box</p> <p>G — 2018C External Elbow Cover</p> <p>H — 2048 Single-Gang Device Box</p> <p>I — 2011 90° Flat Elbow</p> | <p>J — 20GB609 Plugmold Strip</p> <p>K — 2089 Side-Reducing Fitting</p> <p>L — 5748 Single-Gang Device Box</p> <p>M — 500 Raceway</p> <p>N — 2010A2 Entrance End Fitting</p> <p>O — 2010A3 Entrance End Fitting</p> <p>P — 518 External Elbow</p> <p>Q — 2089E End-Reducing Connector</p> | |
|---|---|--|



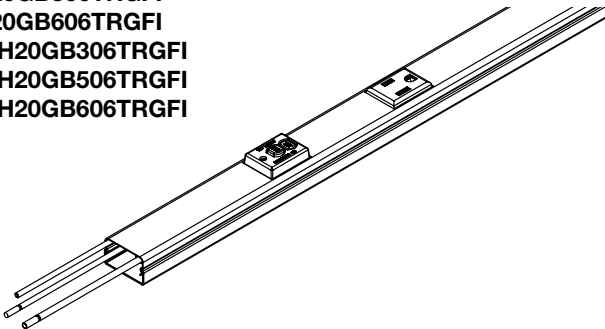
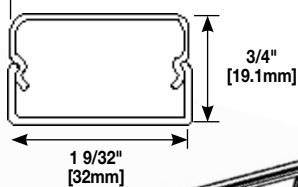
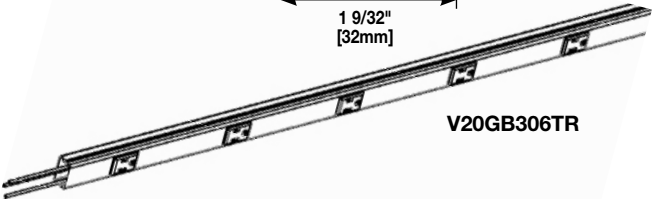
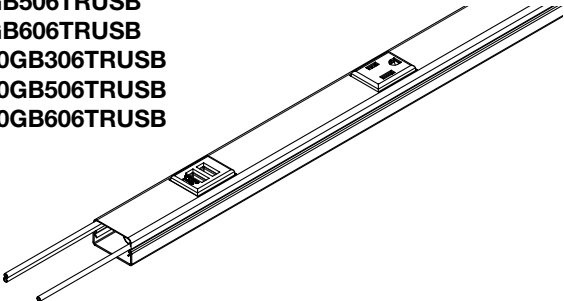
NOTE: Illustration is for showing product applications only.

Plugmold 2000 Series Raceway Fittings Ordering Information

Catalog No./Item	Description/Specifications																								
<p>2000*</p>  <p>Base and Cover – Base – 2000B .040" [1.0mm] steel. Cover – 2000C .025" [.6mm] steel. Supplied with two (2) 2010B Blank End Fittings and (1) 2001 Base Coupling.</p> <p style="text-align: center;">Cross-Sectional Area: 0.80in² [516mm²]</p> <table border="1" style="width: 100%; border-collapse: collapse; margin-top: 10px;"> <thead> <tr> <th>ITEM</th> <th>CAT NO.</th> <th>LENGTH</th> <th>MATERIAL</th> </tr> </thead> <tbody> <tr> <td>Base</td> <td>2000B-5*</td> <td>5' [1.5m]</td> <td>.040 Steel</td> </tr> <tr> <td>Cover</td> <td>2000C*</td> <td>5' [1.5m]</td> <td>.025 Steel</td> </tr> <tr> <td>Base & Cover</td> <td>2000BC*</td> <td>5' [1.5m]</td> <td>.025 Steel</td> </tr> </tbody> </table>	ITEM	CAT NO.	LENGTH	MATERIAL	Base	2000B-5*	5' [1.5m]	.040 Steel	Cover	2000C*	5' [1.5m]	.025 Steel	Base & Cover	2000BC*	5' [1.5m]	.025 Steel	<table border="1" style="width: 100%; border-collapse: collapse;"> <tr> <td style="width: 30%; vertical-align: top;"> <p>W30 W30G</p>  <p style="text-align: center;">1 5/16" [33]</p> <p>NOTE: Not for use with aluminum conductors.</p> </td> <td style="vertical-align: top;"> <p>Pressure-Type Wire Connectors– W30 – For common connection of two, three, or four No. 12 or No.14 solid copper conductors (White). W30G – For connection of equipment grounding of 2, 3, or 4 solid conductors No. 14 or No. 12 AWG (Green). 300V maximum; 20A 105° C maximum.</p> </td> </tr> <tr> <td style="vertical-align: top;"> <p>2000WC</p>  </td> <td style="vertical-align: top;"> <p>Wire Clip – Holds conductors in place in raceway.</p> </td> </tr> <tr> <td style="vertical-align: top;"> <p>2001</p>  <p style="text-align: center;">2" [51mm]</p> </td> <td style="vertical-align: top;"> <p>Coupling – For joining lengths of 2000 Series Raceway Base.</p> </td> </tr> <tr> <td style="vertical-align: top;"> <p>BK2006* G2006* V2006* WH2006* S2006*</p>  <p style="text-align: center;">3/4" [19.1mm]</p> </td> <td style="vertical-align: top;"> <p>Cover Clip – For covering joint where lengths of cover or base adjoin. Use with 2000 Series.</p> </td> </tr> </table>	<p>W30 W30G</p>  <p style="text-align: center;">1 5/16" [33]</p> <p>NOTE: Not for use with aluminum conductors.</p>	<p>Pressure-Type Wire Connectors– W30 – For common connection of two, three, or four No. 12 or No.14 solid copper conductors (White). W30G – For connection of equipment grounding of 2, 3, or 4 solid conductors No. 14 or No. 12 AWG (Green). 300V maximum; 20A 105° C maximum.</p>	<p>2000WC</p> 	<p>Wire Clip – Holds conductors in place in raceway.</p>	<p>2001</p>  <p style="text-align: center;">2" [51mm]</p>	<p>Coupling – For joining lengths of 2000 Series Raceway Base.</p>	<p>BK2006* G2006* V2006* WH2006* S2006*</p>  <p style="text-align: center;">3/4" [19.1mm]</p>	<p>Cover Clip – For covering joint where lengths of cover or base adjoin. Use with 2000 Series.</p>
ITEM	CAT NO.	LENGTH	MATERIAL																						
Base	2000B-5*	5' [1.5m]	.040 Steel																						
Cover	2000C*	5' [1.5m]	.025 Steel																						
Base & Cover	2000BC*	5' [1.5m]	.025 Steel																						
<p>W30 W30G</p>  <p style="text-align: center;">1 5/16" [33]</p> <p>NOTE: Not for use with aluminum conductors.</p>	<p>Pressure-Type Wire Connectors– W30 – For common connection of two, three, or four No. 12 or No.14 solid copper conductors (White). W30G – For connection of equipment grounding of 2, 3, or 4 solid conductors No. 14 or No. 12 AWG (Green). 300V maximum; 20A 105° C maximum.</p>																								
<p>2000WC</p> 	<p>Wire Clip – Holds conductors in place in raceway.</p>																								
<p>2001</p>  <p style="text-align: center;">2" [51mm]</p>	<p>Coupling – For joining lengths of 2000 Series Raceway Base.</p>																								
<p>BK2006* G2006* V2006* WH2006* S2006*</p>  <p style="text-align: center;">3/4" [19.1mm]</p>	<p>Cover Clip – For covering joint where lengths of cover or base adjoin. Use with 2000 Series.</p>																								
<p>V2003 2003</p>  <p style="text-align: center;">2" [51mm]</p>	<p>Supporting Clip – For temporary support, while positioning lengths of raceway base. Use with V/G 2000 Series. V2003 has ivory finish, 2003 has plated finish.</p>																								

* "V" prefix indicates Ivory ScuffCoat™ finish, "G" prefix for Gray enamel finish, "BK" for Black ScuffCoat™ finish, "WH" for white enamel finish, and "S" for stainless steel finish.

Plugmold 2000 Series Raceway Fittings Ordering Information (continued)

Catalog No./Item	Description/Specifications
620BCK	Replacement Blade Kit – Replacement blades and die set for 620 Cutter.
620	 2000 Raceway Base and Cover Cutter – Portable cutter for 2000 Series Raceway Cover and Base. Tooled steel construction for clean and easy square cuts every time. Total manual operation.
PIP36BK PIP36WH PIP36V	PlugIn Plugmold – Available in 3' [915mm] with six single receptacles and two (2) mounting clips. Available in black (PIP36BK), white (PIP36WH) and ivory (PIP36V). 
AL20GB306TRGFI AL20GB506TRGFI BK20GB306TRGFI BK20GB506TRGFI BK20GB606TRGFI G20GB306TRGFI G20GB506TRGFI G20GB606TRGFI S20GB306TRGFI S20GB506TRGFI S20GB606TRGFI V20GB306TRGFI V20GB506TRGFI V20GB606TRGFI WH20GB306TRGFI WH20GB506TRGFI WH20GB606TRGFI	GFCI Plugmold – Available in 3' [914mm], 5' [1.5m] and 6' [1.8m] lengths with 6" [152mm] receptacle spacing. 15A tamper-resistant receptacles. 3-wire, #12 THHN (1 hot, 1 neutral, and insulated ground conductor). .040" [1.0mm] steel housing. Packed 2 per carton. Each unit supplied with one (1) Coupling and two (2) Blank End Fittings. GFCI Class A 20A 125V 60Hz 
V20GB306TR V20GB506TR V20GB606TR G20GB306TR G20GB506TR G20GB606TR BK20GB306TR BK20GB506TR BK20GB606TR WH20GB306TR WH20GB506TR WH20GB606TR S20GB306TR S20GB506TR S20GB606TR	Tamper-Resistant Plugmold – Available in 3' [914mm], 5' [1.5m] and 6' [1.8m] lengths with 6" [152mm] receptacle spacing. 15A tamper-resistant receptacles. 3-wire, #12 THHN (1 hot, 1 neutral, and insulated ground conductor). .040" [1.0mm] steel housing. Packed 2 per carton. Each unit supplied with one (1) Coupling and two (2) Blank End Fittings. Plugmold 2000TR Series Cross Section  
AL20GB306TRUSB AL20GB506TRUSB BK20GB306TRUSB BK20GB506TRUSB BK20GB606TRUSB G20GB306TRUSB G20GB506TRUSB G20GB606TRUSB S20GB306TRUSB S20GB506TRUSB S20GB606TRUSB V20GB306TRUSB V20GB506TRUSB V20GB606TRUSB WH20GB306TRUSB WH20GB506TRUSB WH20GB606TRUSB	USB Plugmold – Available in 3' [914mm], 5' [1.5m] and 6' [1.8m] lengths with 6" [152mm] receptacle spacing. 15A tamper-resistant receptacles. 3-wire, #12 THHN (1 hot, 1 neutral, and insulated ground conductor). .040" [1.0mm] steel housing. Packed 2 per carton. Each unit supplied with one (1) Coupling and two (2) Blank End Fittings. USB is 2.4 (shared between 2 ports) 5VDC. 

NOTE: "V" prefix indicates Ivory ScuffCoat™ finish, "G" prefix for Gray enamel finish, "BK" for Black ScuffCoat™ finish, "WH" for white enamel finish, and "S" for stainless steel finish.

Plugmold Series Wiring Specifications

Steel Plugmold Series Part Numbering System

2000 Series Steel Plugmold Series – Example: G20GBA312



G	20	G B A	3	06
COLOR:	RACEWAY:	WIRING CONFIGURATION:	LENGTH:	CENTER DISTANCE:
Black = BK Gray = G Ivory = V White = WH Stainless = S	2000 = 20	GB = GB GBA = GBA IG = IG*	24" [608mm] = 2* 36" [915mm] = 3 60" [1.5m] = 5 72" [1.8m] = 6	6" [152mm] = 6 9" [229mm] = 9** 12" [305mm] = 12 18" [457mm] = 18

2400 Series Steel Plugmold Series w/Simplex Receptacle – Example: 24GBA512



V	24	G B A	5	12
COLOR:	RACEWAY:	WIRING CONFIGURATION:	LENGTH:	CENTER DISTANCE:
Ivory = V	2400 = 24	GB = GB GBA = GBA	36" [915mm] = 3 60" [1.5m] = 5 72" [1.8m] = 6	6" [152mm] = 6 12" [305mm] = 12 18" [457mm] = 18

2400 Series Steel Plugmold Series w/Duplex Receptacle – Example: 24SGBX3618I

24S	36	18	G B X	99LV
RACEWAY:	LENGTH:	CENTER DISTANCE:	WIRING CONFIGURATION:	COLOR:
2400 = 24S	36" [915mm] = 36 60" [1.5m] = 60 72" [1.8m] = 72	12" [305mm] = 12 18" [457mm] = 18 24" [610mm] = 24	GBX = GBX GBA = GBA IGX = IGX	Ivory = 99LV

* Stainless steel only.

** 6' lengths only.

NOTE: Not all combinations of color, wiring configurations, length, and center distance are available as standard products. For additional information, contact Wiremold Technical Support at 1-800-621-0049.

Plugmold Series with Snapcoil Harness

CATALOG NO.	LENGTH		WIRING CONFIG	OUTLETS (15A 120V NEMA 5-15SR)		HOLE CUT COVER		HOUSING		
	Feet	[meters]		CENTER DISTANCE	QUANTITY	QUANTITY	LENGTH			
				Inches	[mm]		Feet	[m]		
20GB12*	48'	[14.63]	GB	12"	[305mm]	48 Single	8	6'	[1.8m]	Steel – Ivory, Gray
20GB18*	48'	[14.63]	GB	18"	[457mm]	32 Single	8	6'	[1.8m]	Steel – Ivory, Gray
V20GB30	50'	[15.25]	GB	30"	[760mm]	20 Single	10	5'	[1.5m]	Steel – Ivory
20GBA12*	48'	[14.63]	GBA	12"	[305mm]	48 Single	8	6'	[1.8m]	Steel – Ivory, Gray

Cord-Ended Plugmold Series

CAT NO.	UNIT LENGTH	OUTLETS QUANTITY	CORD SET LENGTH	TYPE	SWITCH	CIRCUIT BREAKER	FINISH
20-C2*	3' 4" [1m]	6 Single	6' [1.8m]	12/3 SJT	No	Yes	Steel – Gray, Ivory

* Use "V" prefix for Ivory ScuffCoat™ finish and "G" prefix for Gray enamel finish.

Plugmold Series Wiring Specifications (continued)

2000/2400 Series Raceway Wire Fill Capacities for Power

CABLE TYPE	WIRE SIZE THHN/THWN	O.D.		NO. OF CONDUCTORS (40% FILL)	
		Inches	[mm]	2000	2400
POWER WIRING WITHOUT DEVICES	10 AWG	0.166	[4.2]	–	26
	12 AWG	0.130	[3.3]	7*	41
	14 AWG	0.111	[2.8]	7*	57
POWER WIRING WITH DEVICES (Plugmold Series)	8 AWG	0.218	[5.5]	–	2
	10 AWG	0.153	[3.9]	–	6
	12 AWG	0.122	[3.1]	5**	10
	14 AWG	0.105	[2.7]	5**	–

*Wire capacity limited to maximum of seven conductors due to .025" [.6mm] material thickness of cover.

**Including one hot, neutral, and ground wire from the receptacle.

Wiring Configurations

			With Snapicoil	
GB Series: 3-wire, #12 THHN (1 hot, 1 neutral and 1 ground), 1 circuit; has insulated grounding conductor.	GBA Series: 4-wire, #12 THHN (2 hot, 1 neutral and 1 ground), 2 circuit; outlets wired alternately; has insulated grounding conductor.	IG Series: 3-wire, #12 THHN (1 hot, 1 neutral and 1 ground), 1 circuit; has insulated-isolated grounding conductor. Orange receptacles.	GB Series: 3-wire, #12 THHN (1 hot, 1 neutral and 1 ground), 1 circuit; has insulated grounding conductor.	GBA Series: 4-wire, #12 THHN (2 hot, 1 neutral and 1 ground), 2 circuit; outlets wired alternately; has insulated grounding conductor.

NOTE: SNAPICOIL REELS on custom order. Snapicoil harness is available on reels if lengths greater than 50' are needed, or if multiple lengths are required for production-type jobs. The maximum length per reel is 240' for Snapicoil with outlets 12" and 18" on centers; 500' with outlets 30" on center. Packaging includes the necessary number of lengths of base, holecut cover, wire clips, and couplings for complete installation. Price and delivery information should be obtained prior to specifying or ordering. To specify or order, add "R" to the Snapicoil number. Ex: V20GB12R. Other outlet spacings available on custom order.

Receptacles are made from high impact thermoplastic. Snapicoil packaging includes the necessary lengths of 2000B Base, 2000C Hole Cut Cover, 2000WC Wire Clips, and 2001 Couplings for complete installation.

