

WAPE SERIES WIRELESS ACCESS POINT CEILING ENCLOSURES

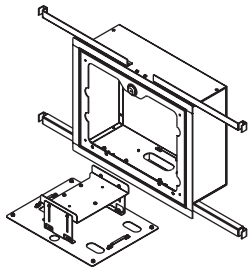
Ordering Information

WAPE Series Wireless Access Point Ceiling Enclosures Ordering Information (continued)

WAPE5-1250KITD, WAPE5-1250KITR Wireless Access Point Enclosure

WAPE5-1250KITD

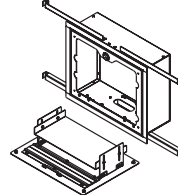
5" deep enclosure for 2'x 2' drop ceiling tile with faceplate for mounting Cisco® Aironet 1250 and 3500 Series using dipole antennas (WAPE5-1250KITD) or remote antennas (WAPE5-1250KITR), 13"W x 14"L [330mm x 356mm].



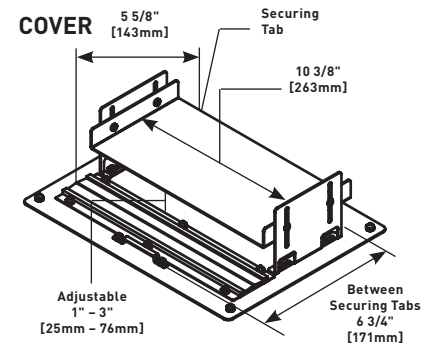
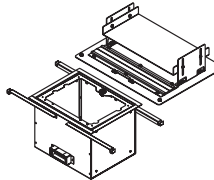
WAPE5-UNIKIT, WAPE10-UNIKIT Wireless Access Point Enclosure

WAPE5-UNIKIT

5" (WAPE5-UNIKIT) or 10" (WAPE10-UNIKIT) deep enclosure for 2'x 2' drop ceiling tile with universal faceplate, 12"W x 14"L [305mm x 356mm].



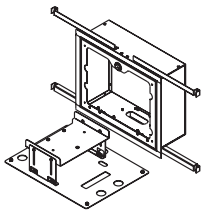
WAPE10-UNIKIT



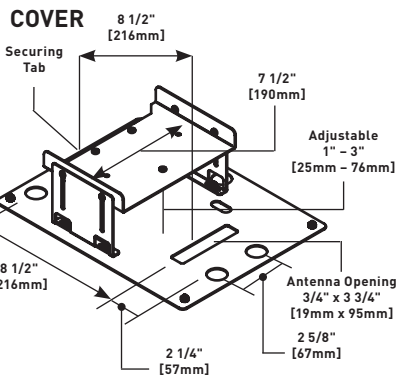
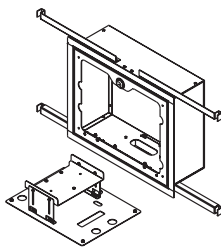
WAPE5-1232KIT, WAPE10-1232KIT Wireless Access Point Enclosure

WAPE5-1232KIT

5" (WAPE5-1232KIT) or 10" (WAPE10-1232KIT) deep enclosure for 2'x 2' drop ceiling tile with faceplate for mounting CISCO® Aironet 1232, 12"W x 14"L [305mm x 356mm].

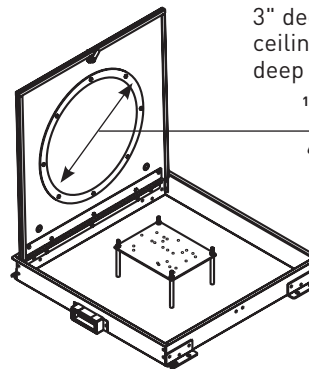


WAPE10-1232KIT



WAPE10-DOME Wireless Access Point Enclosure – with Dome Cover

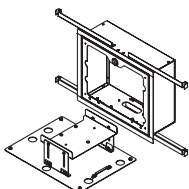
3" deep enclosure for 2'x 2' drop ceiling tile. 14" diameter by 6 1/2" deep transmission dome.



WAPE5-1242KIT, WAPE10-1242KIT Wireless Access Point Enclosure

WAPE5-1242KIT

5" (WAPE5-1242KIT) or 10" (WAPE10-1242KIT) deep enclosure for 2'x 2' drop ceiling tile with faceplate for mounting CISCO® Aironet 1242, 12"W x 14"L [305mm x 356mm].



WAPE10-1242KIT

