

# TELE-POWER® POLES



Tele-Power® Poles provides a cost-effective, configurable solution for distributing power and communication services to open spaces.



## CODE REFERENCE

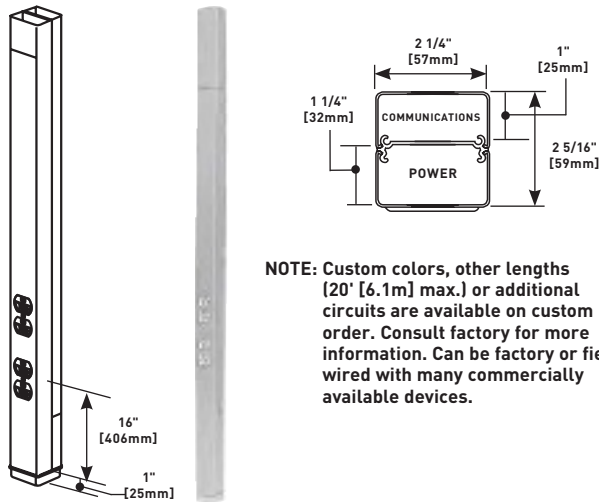
**cULus Listed Multioutlet Assemblies:**  
File E15191, E178348 Guide PVGT

**Raceway Fittings:** File E41751 Guide RJPR

**Accessories:** File E53857 Guide RVUR

Meets Article 380 & 386 of NEC.

## Steel Tele-Power Poles Ordering Information



**NOTE:** Custom colors, other lengths (20' [6.1m] max.) or additional circuits are available on custom order. Consult factory for more information. Can be factory or field wired with many commercially available devices.



Tele-Power Poles provide a wide range of options for distributing services from overhead systems to open space office, commercial, and retail areas.

## COLOR OPTIONS

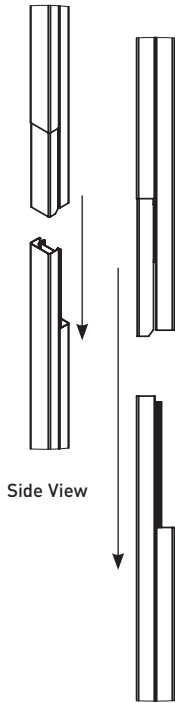


25DTP/DTC Series Tele-Power Poles are now available in two colors: ivory and designer gray. Custom color options are also available. Consult the factory for more information.

# TELE-POWER® POLES

## Steel Tele-Power Poles

### Tele-Power Express Poles and Tele-Power Pole Extenders

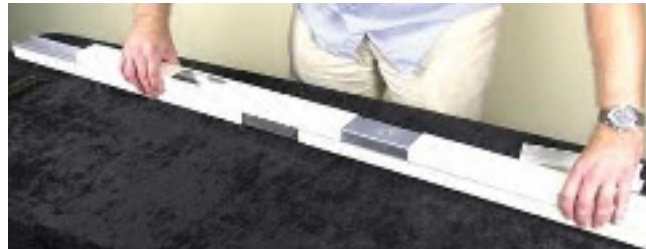


Easier jobsite handling + easier and more reliable shipping options Wiremold Tele-Power Express Pole and Tele-Power Pole Extender were introduced to make creating or altering poles easy. The TP Express Pole allows you to create a single 10' pole using two sections, which are easy to ship and easy to assemble on the jobsite.

Configurability of the TPP Extenders allows for on site modifications to accommodate a variety of ceiling heights. TP Express Poles and TPP Extenders can ship UPS or air freight. TPP Extenders have been designed to be compatible with existing poles, so relocating is literally, a snap – quick, easy, and done with in-stock components. Existing poles can also be retrofit/extended to be used in a location with a higher ceiling using TPP Extenders.

When you need a reliable open space power and/or data solution in the shortest amount of time, no matter the length needed, think Legrand/Wiremold TP Express Poles and TPP Extenders.

**NOTE: When being used to modify or extend standard poles, the poles can only be modified or extended in 5' [1.524m] increments.**



**NOTE: No Tele-Power Pole can have more than three separate sections. 25DTP/C Series Poles cannot be combined with 25DTP/C-E10. The 25DTC-E5 can be used only to extend regular 25DTP/C poles.**

### TPP Extenders Ordering Information

#### 25DTP-E10, 25DTP-E10-DG Tele-Power Express Pole

Two sections of a two-compartment (power and communication) pole (5' 4" [1.62m] base + 5' [1.52m] extender) assembles to form a 10' 4" [3.14m] pole. Nominal material thickness .040" [1.0mm]. Ivory or gray boot base. Factory wired with fed-spec general grade 20A 125V duplex style receptacles. An 8" [203mm] cover at top front (power side) of pole is removable for making power wiring connections. KOs provided in removable cover for RJ11/RJ45 and modular furniture communication connectors. Mounting hardware, entrance end plate and two ceiling trim plates furnished.

#### 25DTC-E5, 25DTC-E5-DG Blank Steel Tele-Power Pole Extender

Two-compartment extender mounts onto existing 25DTP or 25DTC series pole. Nominal material thickness .040" [1.0mm]. Furnished unwired without outlets. Use existing pole mounting hardware, entrance end plate and ceiling trim plate. Available in 5' [1.52m] length. Can be cut to desired length.

#### 25DTC-E10, 25DTC-E10-DG Blank Steel Tele-Power Express Pole

Two sections of a two-compartment pole (5' 4" [1.62m] base + 5' [1.52m] extender) assembles to form a 10' 4" [3.14m] pole. Nominal material thickness .040" [1.0mm]. Ivory boot base. Furnished unwired without outlets. Mounting hardware, entrance end plate and ceiling trim plate furnished. An 8" [203mm] cover at top front of pole is removable for making power wiring connections.

#### 25AM-AP Accessory Pack

Accessory pack for 25 Series and AM Series poles. Contains ceiling trim plate, gripper pad, bracket, grommet, and end plate.