

# CRFB SERIES™ FLOOR BOXES



CRFB Series Floor Boxes are round recessed floor boxes designed to meet the functionality and flexibility requirements of the raised and wood floor markets.

## CODE REFERENCE

**UL Listed Classified Raised Floor Box:**  
File E2961, Guide QCIT.

**UL Listed Classified Raised Floor Box (prewired):**  
File E51105, Guide QQVX.  
Meets Article 314 of NEC.  
Meets Article 12-2500 of CEC.



New egress design for CRFB Series Floor Box Covers offers larger wire/cable egress with locking feature.



Cables egress from a CRFB Series Floor Box with Evolution Series Poke-Thru Cover.



CRFB Series four-compartment configurable box.

## COLOR OPTIONS

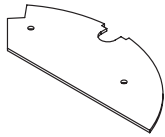


CRFB Series Floor Boxes Cover and Evolution™ Series Poke-Thru Covers are available in black, brass, nickel, bronze, and gray finishes.

# CRFB SERIES™ FLOOR BOXES

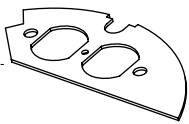
## CRFB Series Device Plates for Location 2 Ordering Information

### CRFB-B-2 Blank Device Plate #2



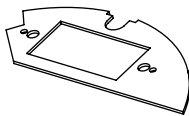
Used to close off unused gang.

### CRFB-D-2 Duplex Device Plate



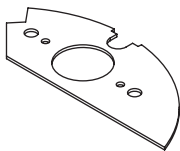
Accepts standard 15A and 20A duplex receptacles.

### CRFB-GFI-2 GFCI/Decorator Plate



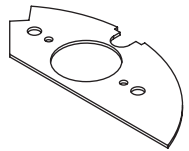
Accepts standard GFCI or Decorator style receptacles.

### CRFB-SR1-2 1.39" [35mm] Device Plate



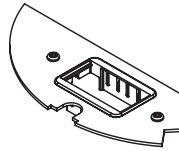
Accepts single device 1.39" [35mm]

### CRFB-SR2-2 1.60" [41mm] Device Plate



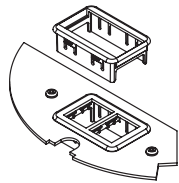
Accepts single device 1.60" [41mm]

### CRFB-AB-2 Communication Device Plate



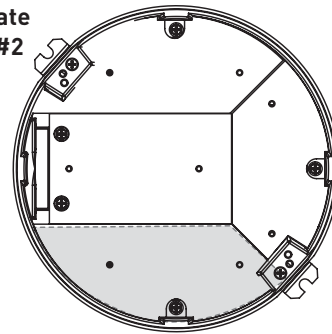
Accepts two (2) ports of communication devices. Includes one (1) Wiremold CM Series Open System adapter and inserts.

### CRFB-RT-2 Communication Device Plate



Accepts two (2) ports of communication devices. Includes one (1) Ortronics® Series II and one (1) Tracjack adapter.

### Device Plate Location #2



NOTE: Standard size for device plates for Plate Location 2 is 5 7/32" [132mm] x 2 3/4" [62mm].

## CRFB Series Device Plates for Location 3 Ordering Information

### CRFB-B-3 Blank Device Plate #3



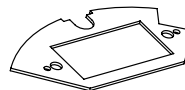
Used to close off unused gang.

### CRFB-D-3 Duplex Device Plate



Accepts standard 15A and 20A duplex receptacles.

### CRFB-GFI-3 GFCI/Decora Plate



Accepts standard GFCI or Decora style receptacles.

### CRFB-SR1-3 1.39" [35mm] Device Plate

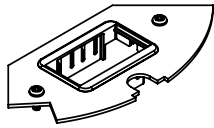


Accepts single device 1.39" [35mm].

# CRFB SERIES™ FLOOR BOXES

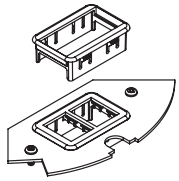
## CRFB Series Device Plates for Location 3 Ordering Information (continued)

### CRFB-AB-3 Communication Device Plate



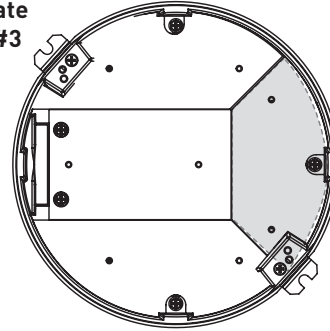
Accepts two (2) ports of communication devices. Includes one (1) Wiremold CM Series Open System adapter and inserts.

### CRFB-RT-3 Communication Device Plate



Accepts two (2) ports of communication devices. Includes one (1) Ortronics® Series II and one (1) Tracjack adapter.

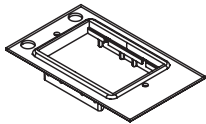
Device Plate Location #3



NOTE: Standard size for device plates for Plate Location 3 is 5 7/32" [132mm] x 2 3/4" [62mm].

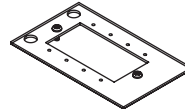
## CRFB Series Device Plates for Location 4 Ordering Information

### CRFB-BEZ6A-4 Center 6A Comm Adapter



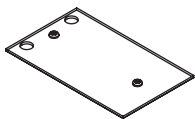
6A communications plate. Includes: (1) 6A Wiremold Open System Adapter, (1) Ortronics Series II Adapter, (1) Ortronics TracJack Adapter. Modular jacks sold separately.

### CRFB-MAAP-4 Extron® MAAP Plate



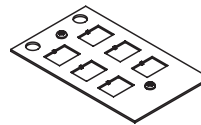
Holds four (4) Legrand AVIP or Extron® Electronics MAAP device plates.

### CRFB-B-4 Center Blank Plate



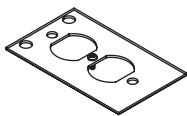
Used to close off unused gang.

### CRFB-6COM-4 Center Communication Plate



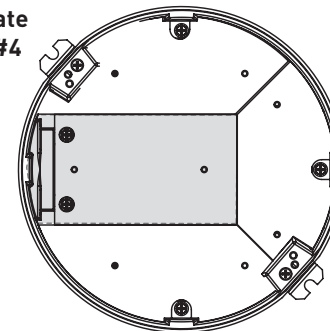
Communication plate with six (6) RJ knockouts. Modular jacks sold separately.

### CRFB-D-4 Center Duplex Plate



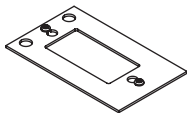
Accepts standard 15A and 20A Duplex Receptacles.

Device Plate Location #4



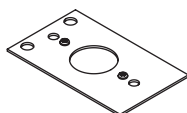
NOTE: Standard size for device plates for Plate Location 4 is 5 7/32" [132mm] x 2 3/4" [62mm].

### CRFB-GFI-4 Center Decorator Style Plate



Accepts standard GFCI or Decorator Style Receptacles.

### CRFB-SR1-4 Center 1.39" [35mm] Device Plate



Accepts single device 1.39" [35mm].