

RESOURCE RFB® SERIES FLOOR BOXES

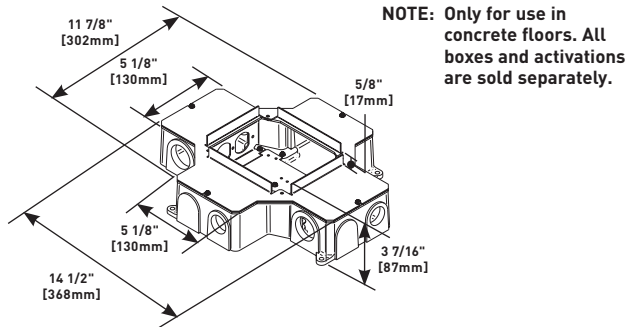
RFB4 Series

RFB4-CI-1 Series Multiservice Cast Iron Recessed Floor Boxes Ordering Information

RFB4-CI-1

Four-Compartment Cast Iron Combination Box

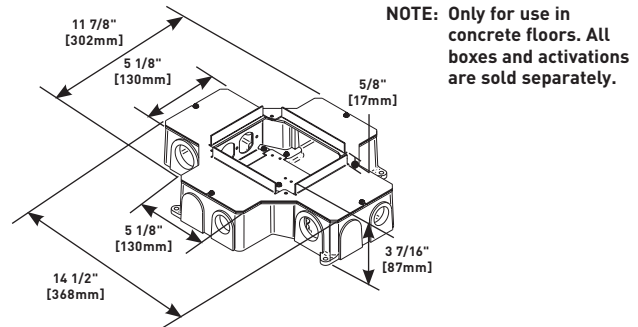
14 1/2" L x 11 7/8" W x 3 7/16" D [368mm x 302mm x 87mm]. Fully adjustable with tunnel compartment and two receptacle brackets. **Feed through from adjacent or opposite compartments only, (not cross compartments).** Communication brackets not included. All boxes and activations are sold separately.



RFB4-CI-1

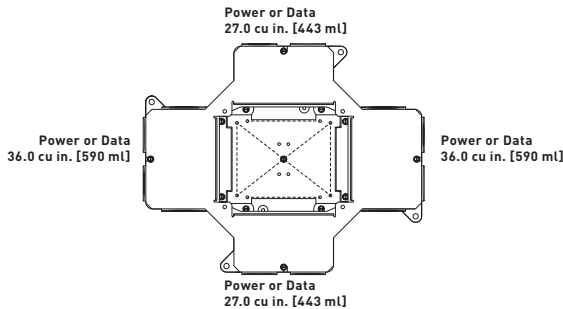
North American Made
Four-Compartment Cast Iron Combination Box

14 1/2" L x 11 7/8" W x 3 7/16" D [368mm x 302mm x 87mm]. Fully adjustable with tunnel compartment and two receptacle brackets. **Feed through from adjacent or opposite compartments only, (not cross compartments).** Communication brackets not included. All boxes and activations are sold separately.

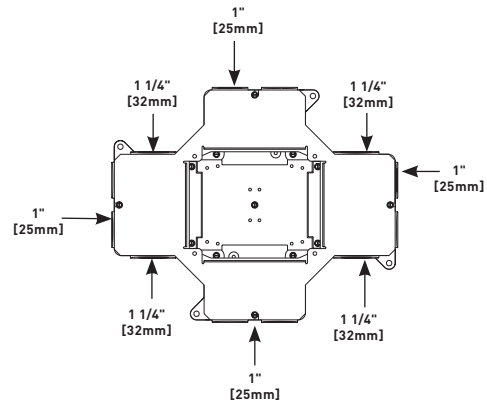


RFB4-CI-1 Series Multiservice Cast Iron Recessed Floor Boxes Compartment Capacities, Knockout Locations and Sizes

Compartment Capacities

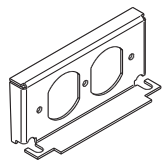


Knockout Locations & Sizes



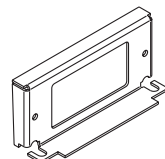
RFB4-CI-1 Series Multiservice Cast Iron Recessed Floor Box Accessories Ordering Information

CIHT-D Internal Duplex Receptacle Bracket



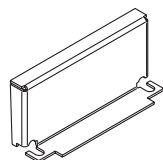
Accepts standard 15 Amp and 20 Amp Duplex Receptacles.

CIHT-GFI Internal GFI Bracket



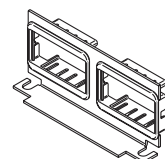
Accepts standard GFCI or Decorator Style Receptacles, Communication or A/V Devices.

CIH/LT-B Internal Blank Bracket



Used to close off unused gangs.

CILT-2AB Communication Bracket



Communication bracket with two (2) 2A size Activate™ adapters included. Accepts Wiremold CM2 Series Open System communication modules (sold separately).