

2400 SERIES™ RACEWAY



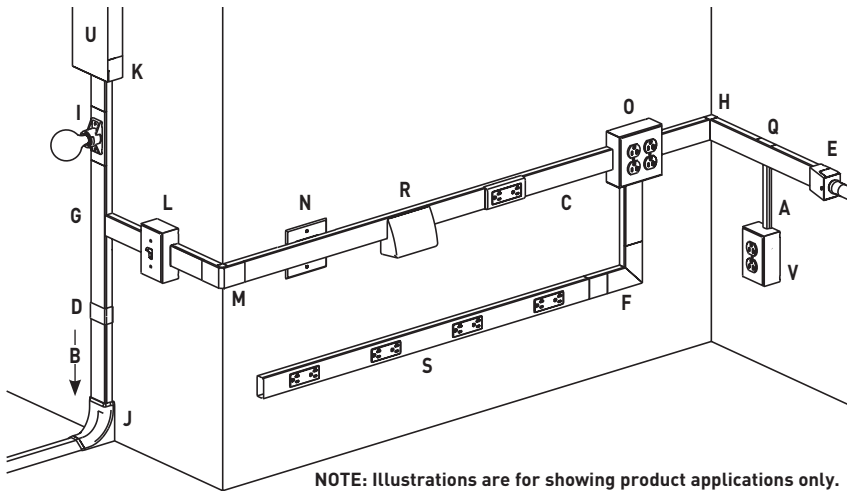
Single Channel Raceway . Easy-to-install and ideal for basic power or communication/low voltage installations in classrooms, hotels, and anywhere a low profile raceway solution is needed.

CODE REFERENCE

cULus Listed Raceway:
File E4376 Guide RJBT.

Fittings:
File E41751 Guide RJPR.
Meets Article 386 of NEC.
Meets Section 12-1600 of CEC.

2400 Series Raceway System Layout for Power

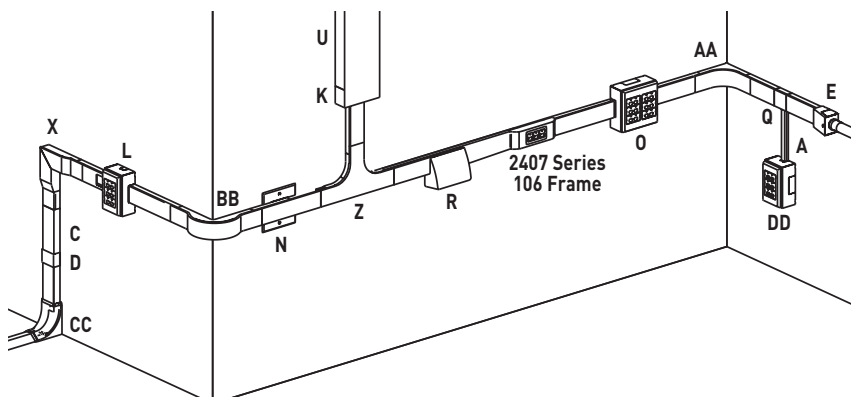


NOTE: Illustrations are for showing product applications only.

KEY

- A. 500 Series Raceway
- B. 1500/2600 Raceway Feed
- C. 2400 Series Raceway
- D. 2406 Cover Clip
- E. 2410C Entrance End Fitting
- F. 2411M Flat Elbow Fitting
- G. 2415M Tee Fitting
- H. 2417M Internal Elbow Fitting
- I. 2426 Lamp Holder
- J. 2686FO Transition Fitting
- K. 4089 Reducing Connector
- L. 2448 One-Gang Device Box
- M. 2418M External Elbow Fitting
- N. 2451H Back Feed Fitting
- O. 2448-2 Two-Gang Device Box
- P. 2475D Bridge Fitting
- Q. 2489 Reducing Adapter
- R. 24DWND Downward Duplex Device Bracket
24DWNR Downward Decorator Device Bracket
- S. 24S7218GBX99IV 2400 Series Plugmold Strip
- U. U4000 Series Raceway
- V. 5747 Shallow Switch Box
- W. 2400BC 2400 Series Raceway
- X. 2411FO Radiused Flat Elbow
- Y. 2415H Back Feed Fitting
- Z. 2415FO Radiused Tee Fitting
- AA. 2417FO Radiused Internal Elbow
- BB. 2418FO Radiused External Elbow
- CC. 2686FO Transition Feed Fitting
- DD. 5744 Extra Deep Device Box

2400 Series Raceway System Layout for Communications



COLOR OPTIONS



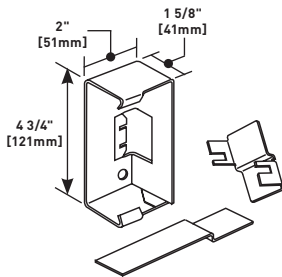
2400 Series™ Raceway Part Numbers with a "V" prefix have an ivory finish. Part Numbers with a "-FW" suffix have a fog white finish.

Custom color options are also available. Consult the factory for more information.

2400 SERIES™ RACEWAY

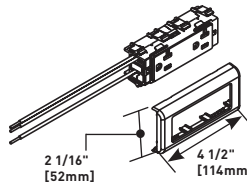
2400 Series Raceway Fittings Ordering Information (continued)

V4089 Reducing Connector



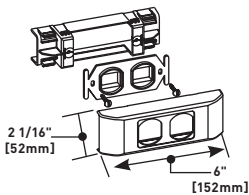
Connects 4000 Series Raceway to 2400 Series Raceway.

V2427GT 20A Duplex Receptacle



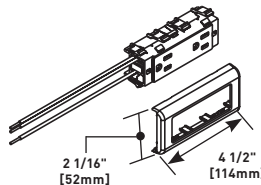
3-Wire 125V NEMA 5-20R receptacle. Includes 10-1/2" [267mm] pigtails and inline splice connectors. Also available in fog white (V2427GT-FW).

V2407-2CM, 2407-2CMFW 106 Device Bracket & Frame



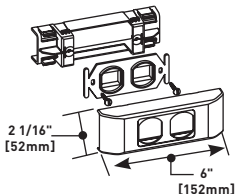
For installing two network wiring keystone device modules in 2400 Series Raceway. Does not accept Quad 106 Frame.

V2427GA 15A Duplex Receptacle



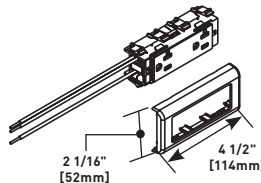
3-Wire 125V NEMA 5-15R receptacle. Includes 10-1/2" [267mm] pigtails and inline splice connectors. Also available in fog white (V2427GA-FW).

V2407-2TJ, 2407-2TJFW 106 Device Bracket & Frame



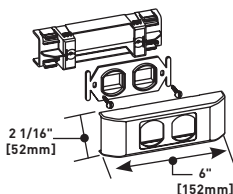
For installing two Ortronics® TracJack device modules in 2400 Series Raceway. Does not accept Quad 106 Frame.

IG2427GT 20A Isolated Ground Duplex Receptacle



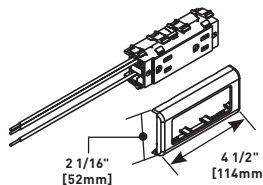
3-Wire 125V NEMA 5-20R orange receptacle. Includes 10-1/2" [267mm] pigtails and inline splice connectors. Also available in fog white (IG2427GT-FW).

V2407-3TJ, 2407-3TJFW 106 Device Bracket & Frame



For installing three Ortronics® TracJack device modules in 2400 Series Raceway. Does not accept Quad 106 Frame.

IG2427GA 15A Isolated Ground Duplex Receptacle



3-Wire 125V NEMA 5-15R orange receptacle. Includes 10-1/2" [267mm] pigtails and inline splice connectors. Also available in fog white (IG2427GA-FW).

IWE-S, DVWE-S Spray Paint



Used for touching up large areas. Contains 12 oz. of paint. Available in ivory (IWE-S) and fog white (DVWE-S).

NOTE: Can only be shipped via ground transportation

IWE-P, DVWE-P Touch-Up Paint Pen



Used for touching up small areas. Contains 0.3 oz. of paint. Available in ivory (IWE-P) and fog white (DVWE-P).