

2400 SERIES™ RACEWAY



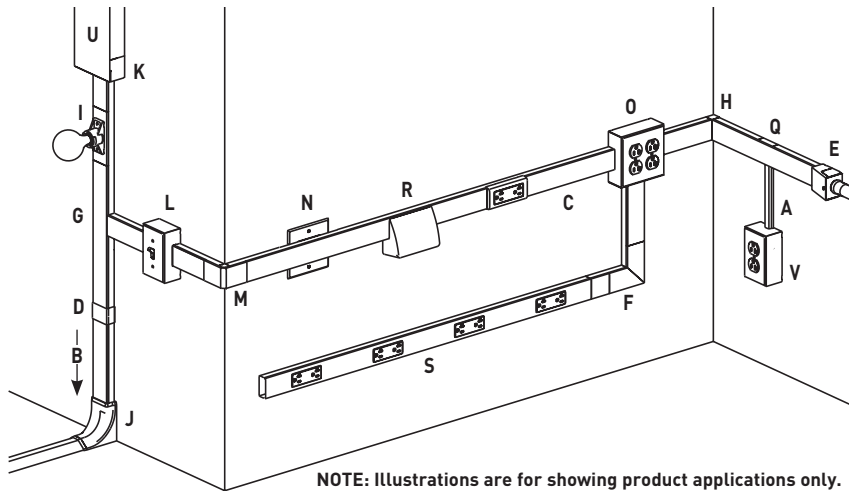
Single Channel Raceway . Easy-to-install and ideal for basic power or communication/low voltage installations in classrooms, hotels, and anywhere a low profile raceway solution is needed.

CODE REFERENCE

cULus Listed Raceway:
File E4376 Guide RJBT.

Fittings:
File E41751 Guide RJPR.
Meets Article 386 of NEC.
Meets Section 12-1600 of CEC.

2400 Series Raceway System Layout for Power

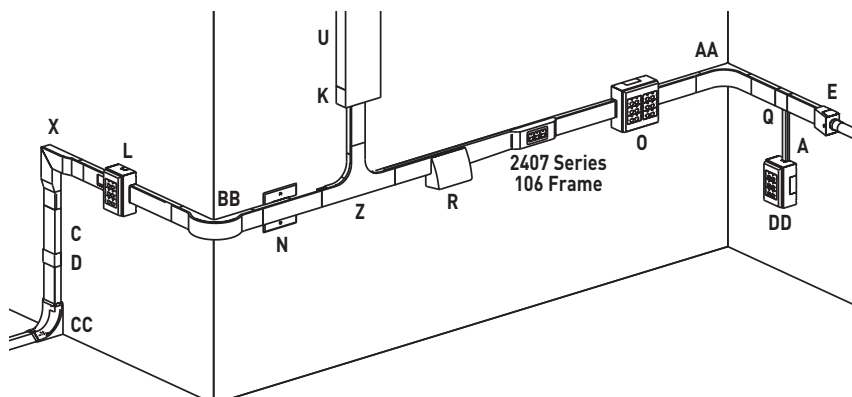


NOTE: Illustrations are for showing product applications only.

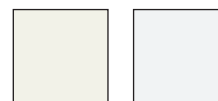
KEY

- A. 500 Series Raceway
- B. 1500/2600 Raceway Feed
- C. 2400 Series Raceway
- D. 2406 Cover Clip
- E. 2410C Entrance End Fitting
- F. 2411M Flat Elbow Fitting
- G. 2415M Tee Fitting
- H. 2417M Internal Elbow Fitting
- I. 2426 Lamp Holder
- J. 2686FO Transition Fitting
- K. 4089 Reducing Connector
- L. 2448 One-Gang Device Box
- M. 2418M External Elbow Fitting
- N. 2451H Back Feed Fitting
- O. 2448-2 Two-Gang Device Box
- P. 2475D Bridge Fitting
- Q. 2489 Reducing Adapter
- R. 24DWND Downward Duplex Device Bracket
24DWNR Downward Decorator Device Bracket
- S. 24S7218GBX99IV 2400 Series Plugmold Strip
- U. U4000 Series Raceway
- V. 5747 Shallow Switch Box
- W. 2400BC 2400 Series Raceway
- X. 2411FO Radiused Flat Elbow
- Y. 2415H Back Feed Fitting
- Z. 2415FO Radiused Tee Fitting
- AA. 2417FO Radiused Internal Elbow
- BB. 2418FO Radiused External Elbow
- CC. 2686FO Transition Feed Fitting
- DD. 5744 Extra Deep Device Box

2400 Series Raceway System Layout for Communications



COLOR OPTIONS



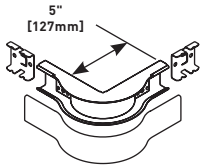
2400 Series™ Raceway Part Numbers with a "V" prefix have an ivory finish. Part Numbers with a "-FW" suffix have a fog white finish.

Custom color options are also available. Consult the factory for more information.

2400 SERIES™ RACEWAY

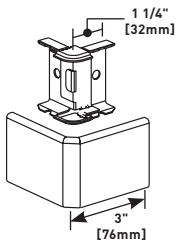
2400 Series Raceway Fittings Ordering Information (continued)

V2418FO, 2418FO-FW Radiused External Elbow



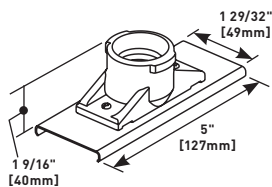
90° external elbow provides 2" [51mm] cable bend radius control for fiber optic and UTP/STP cable installations. Two couplings included.

V2418M, 2418M-FW External Elbow



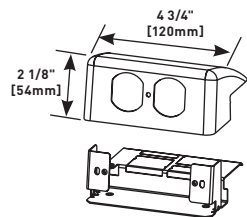
90° external corners.

V2426, 2426-FW Lamp Holder



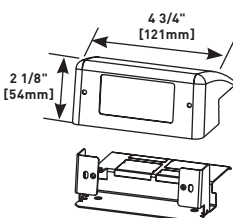
Medium base lamp holder 660W, 250V. Black general purpose phenolic.

V24DWND, 24DWND-FW Downward Duplex Device Bracket



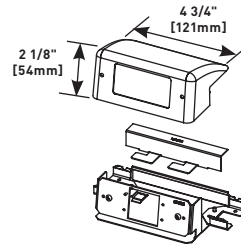
Labor saving, over-the-raceway device bracket. Accepts 15A or 20A duplex receptacles or 106 style data frame.

V24DWRN, 24DWRN-FW Downward Decorator Device Bracket



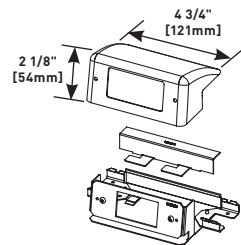
Labor saving, over-the-raceway device bracket. Accepts 15A or 20A decorator receptacles, GFCI receptacle, or 106 style data frame.

V24DWNU, 24DWNU-FW Downward Extron® MAAP Device Plate



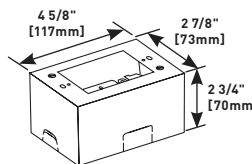
Accepts two Extron® Electronics MAAP single space modules.

V24DWNS, 24DWNS-FW Downward Ortronics® Series II Device Plate



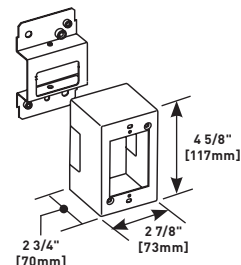
Accepts one Ortronics® Series II module.

V2444, 2444-FW Extra Deep Device Box



One-gang device box with extra depth to allow installation of cabling that requires greater bend radius and storage. Cover has one twistout for 2400 Series Raceway on each side and one twistout for 500 and 700 Series Raceway on the top and bottom. Accepts industry standard faceplates for electrical and communication devices.

V2444D, 2444D-FW Device Box



One-gang labor saving, over-the-raceway device box. Cover has twistout on each side for 2400 Series Raceway. Accepts industry standard faceplates for electrical and communication devices.

NOTE: One-gang device boxes accept NEMA single-gang standard faceplates. Two-gang device boxes accept NEMA double-gang standard faceplates.

NOTE: Parts identified with this symbol are Certified to Canadian Safety Standards for sale in Canada. When ordering these products, add "C" to the color prefix to denote the Canadian versions, i.e. "CV2444".