

2400 SERIES™ RACEWAY



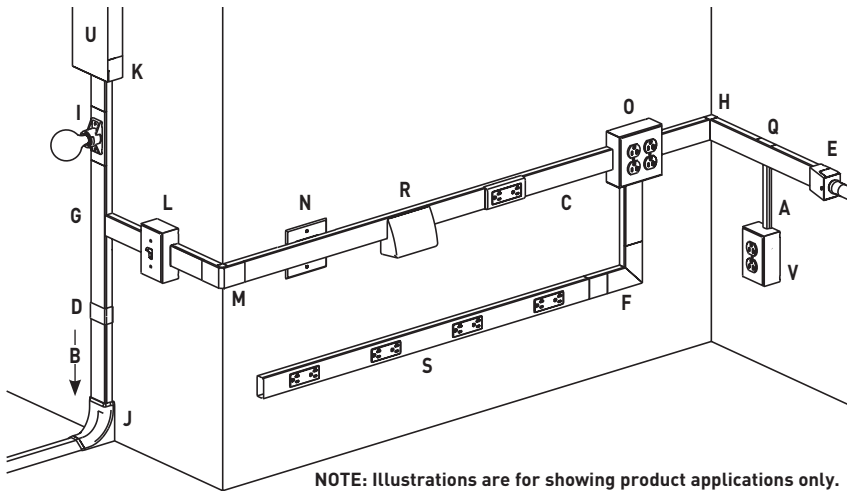
Single Channel Raceway . Easy-to-install and ideal for basic power or communication/low voltage installations in classrooms, hotels, and anywhere a low profile raceway solution is needed.

CODE REFERENCE

cULus Listed Raceway:
File E4376 Guide RJBT.

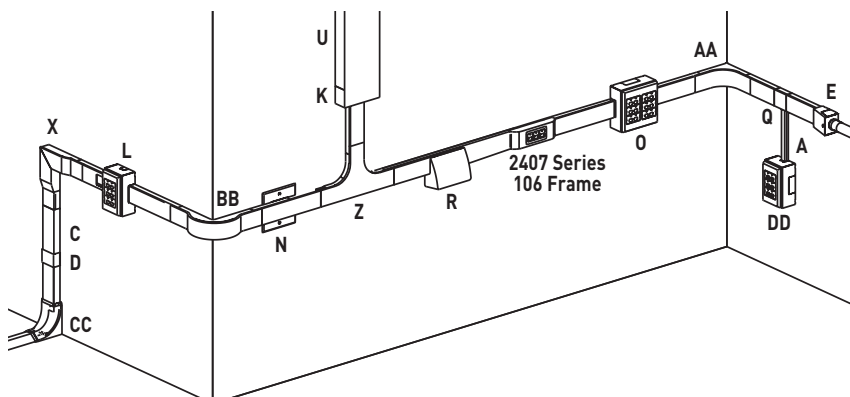
Fittings:
File E41751 Guide RJPR.
Meets Article 386 of NEC.
Meets Section 12-1600 of CEC.

2400 Series Raceway System Layout for Power



NOTE: Illustrations are for showing product applications only.

2400 Series Raceway System Layout for Communications



KEY

- A. 500 Series Raceway
- B. 1500/2600 Raceway Feed
- C. 2400 Series Raceway
- D. 2406 Cover Clip
- E. 2410C Entrance End Fitting
- F. 2411M Flat Elbow Fitting
- G. 2415M Tee Fitting
- H. 2417M Internal Elbow Fitting
- I. 2426 Lamp Holder
- J. 2686FO Transition Fitting
- K. 4089 Reducing Connector
- L. 2448 One-Gang Device Box
- M. 2418M External Elbow Fitting
- N. 2451H Back Feed Fitting
- O. 2448-2 Two-Gang Device Box
- P. 2475D Bridge Fitting
- Q. 2489 Reducing Adapter
- R. 24DWND Downward Duplex Device Bracket
24DWNR Downward Decorator Device Bracket
- S. 24S7218GBX99IV 2400 Series Plugmold Strip
- U. U4000 Series Raceway
- V. 5747 Shallow Switch Box
- W. 2400BC 2400 Series Raceway
- X. 2411FO Radiused Flat Elbow
- Y. 2415H Back Feed Fitting
- Z. 2415FO Radiused Tee Fitting
- AA. 2417FO Radiused Internal Elbow
- BB. 2418FO Radiused External Elbow
- CC. 2686FO Transition Feed Fitting
- DD. 5744 Extra Deep Device Box

COLOR OPTIONS



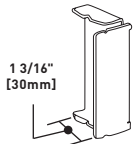
2400 Series™ Raceway Part Numbers with a "V" prefix have an ivory finish. Part Numbers with a "-FW" suffix have a fog white finish.

Custom color options are also available. Consult the factory for more information.

2400 SERIES™ RACEWAY

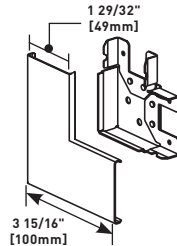
2400 Series Raceway Fittings Ordering Information (continued)

V2410B, 2410B-FW Blank End Fitting



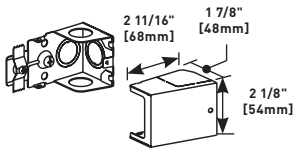
Closes off open end of 2400 Series Raceway.

V2411M, 2411M-FW Flat Elbow



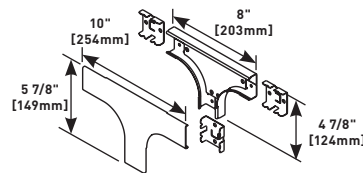
Right angle turns on same surface.

V2410C, 2410C-FW Entrance End Fitting



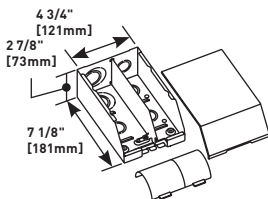
Feeds 2400 Series Raceway. Includes 1/2" and 3/4" trade size KOs on end and bottom. Additional 1/2" trade size KOs on each side.

V2415FO, 2415FO-FW Radiused Tee



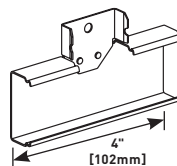
For branches at right angles. Provides 2" [51mm] cable bend radius control for fiber optic and UTP/STP cable installations. Couplings included.

V2410DFO, 2410DFO-FW Divided Entrance End Fitting



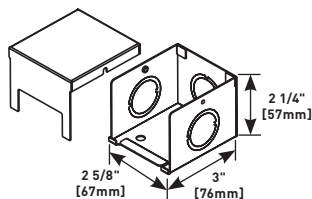
Feeds 2400 & 2400D Series Raceway. Has 1/2", 3/4", and 1" trade size KOs on back and end. Removable divider and radiused insert included.

V2415M, 2415M-FW Tee



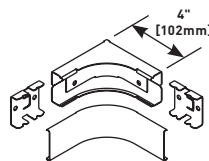
For branching raceway at right angles. Two couplings included.

V2410FC, 2410FC-FW Full Capacity Entrance End Fitting



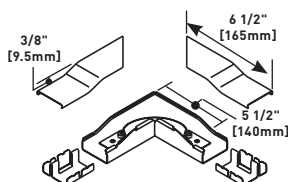
Feeds 2400 Series Raceway. Has 3/4" and 1" concentric trade size KOs located on each side.

V2417FO, 2417FO-FW Radiused Internal Elbow



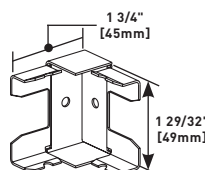
90° internal corner elbow provides 2" [51mm] cable bend radius control for fiber optic and UTP/STP cable installations. Two couplings included.

V2411FO, 2411FO-FW Radiused Flat Elbow



90° flat corner elbow provides 2" [51mm] cable bend radius control for fiber optic and UTP/STP cable installations. Ideal for lay-in or pull-through installations. Couplings included.

V2417M, 2417M-FW Internal Elbow



Inside 90° angle turns.