

EVOLUTION™ SERIES FLOOR BOXES



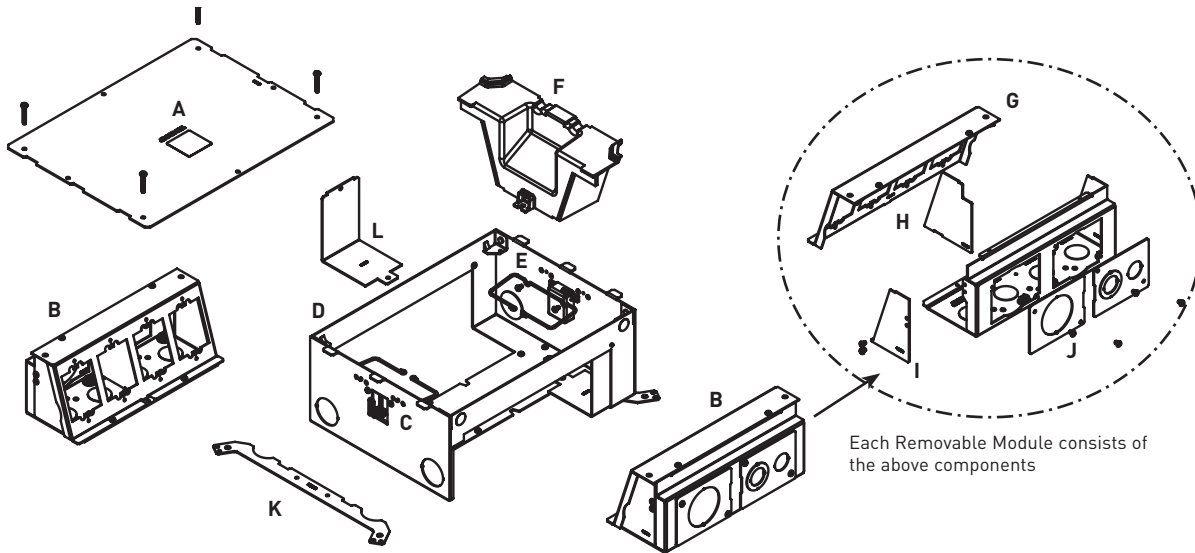
Wiremold® Evolution™ Series Floor Boxes are the latest advancement in the most complete and innovative line of floor solutions in the industry.



CODE REFERENCE

cULus Listed
Metallic Outlet Boxes:
 File E2961 Guide QCIT.
 Meets Article 314.27(C) of NEC.

Evolution™ Series Floor Box Components



KEY

- | | |
|---|---------------------------------------|
| A. Mud Cap (temporary construction cover) | G. Mounting Bracket |
| B. Removable Module | H. Divider (removable repositionable) |
| C. Toggle Clamp | I. End Cap |
| D. Box | J. Back Knockout Plate |
| E. Cable Guide | K. Concrete Level Leg |
| F. Tunnel | L. "L" Bracket |

All items shown above are included with Evolution Series floor boxes.

COLOR OPTIONS

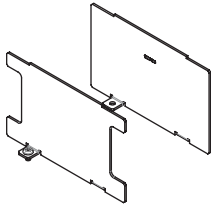


Evolution Series Floor Box Covers are available in the following powder coated finishes: "BK" black, "GY" gray, "NK" nickel, "BS" brass, and "BZ" bronze.

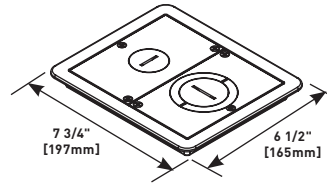
Custom color options are also available. Consult the factory for more information.

EVOLUTION™ SERIES FLOOR BOXES

Evolution™ Series EFBFF Furniture Floor Box Accessories Ordering Information

EFBFF-DIV Divider

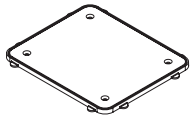
Provides separation of services.

FPFFTC Furniture Feed Cover Assembly

**FPFFTCBK, FPFFTCBZ,
FPFFTCBS, FPFFTCNK,
FPFFTCGY, FPFFTCAL**

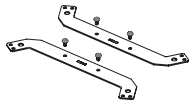
Flanged cover for use in tile or carpet or wood floor installations. Die-cast aluminum assembly available in powder coat finishes of black, bronze, brass, nickel, gray or brushed aluminum. Provided with one (1) 1" trade size screw plug for power or communication type cabling and one (1) combination 1 1/4" and 2" trade size screw plug for communication and A/V type cabling. Allows for feeding both power and communication cabling.

NOTE: Flangeless FloorPort Series (FPFFT) covers are not designed to work with Evolution Series Furniture Feed Floor Boxes.

FP-CTR Bare Concrete & Terrazzo Ring

Nonmetallic ring for use on bare polished concrete and terrazzo floor applications.

NOTE: Ring must be attached to the floor box before pouring concrete or terrazzo.

EFBFF-CLL Concrete Leveling legs

Legs allow floor box to be adjusted up or down to match the desired pour height of the concrete. Includes two (2) leveling legs. Threaded rod not supplied.