

# EVOLUTION™ SERIES FLOOR BOXES



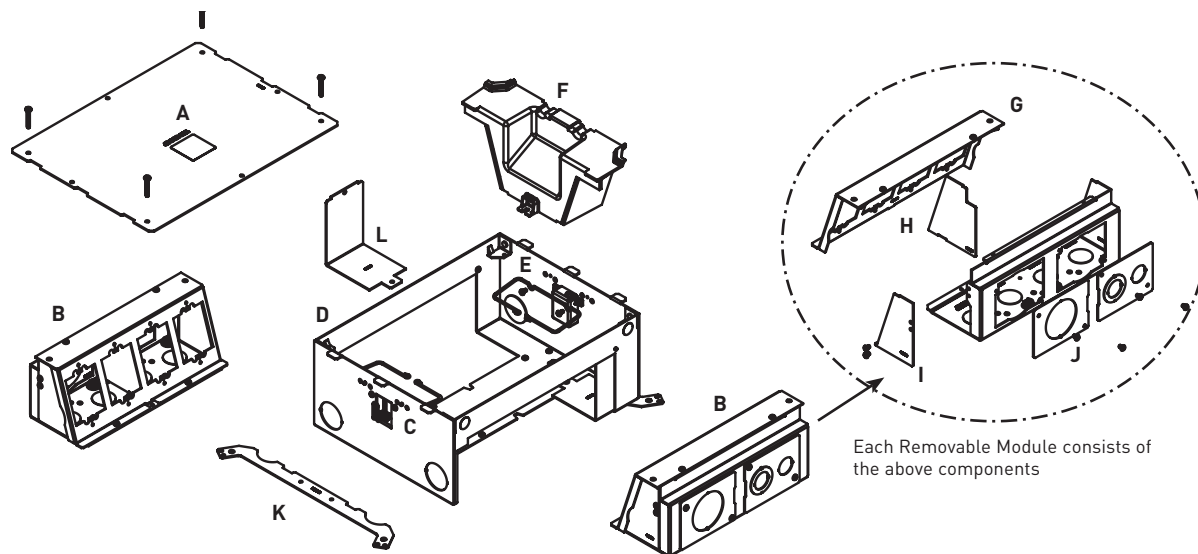
Wiremold® Evolution™ Series Floor Boxes are the latest advancement in the most complete and innovative line of floor solutions in the industry.



## CODE REFERENCE

cULus Listed  
**Metallic Outlet Boxes:**  
 File E2961 Guide QCIT.  
 Meets Article 314.27(C) of NEC.

## Evolution™ Series Floor Box Components



### KEY

- |   |                                       |
|---|---------------------------------------|
| A. Mud Cap (temporary construction cover) | G. Mounting Bracket                   |
| B. Removable Module                       | H. Divider (removable repositionable) |
| C. Toggle Clamp                           | I. End Cap                            |
| D. Box                                    | J. Back Knockout Plate                |
| E. Cable Guide                            | K. Concrete Level Leg                 |
| F. Tunnel                                 | L. "L" Bracket                        |

All items shown above are included with Evolution Series floor boxes.

### COLOR OPTIONS



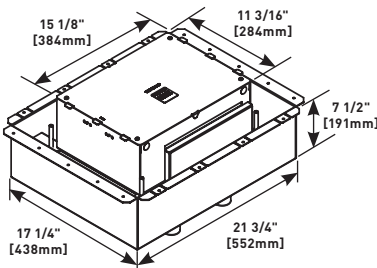
Evolution Series Floor Box Covers are available in the following powder coated finishes: "BK" black, "GY" gray, "NK" nickel, "BS" brass, and "BZ" bronze.

**Custom color options are also available. Consult the factory for more information.**

# EVOLUTION™ SERIES FLOOR BOXES

## Evolution™ Series 10-Gang Floor Box Ordering Information (continued)

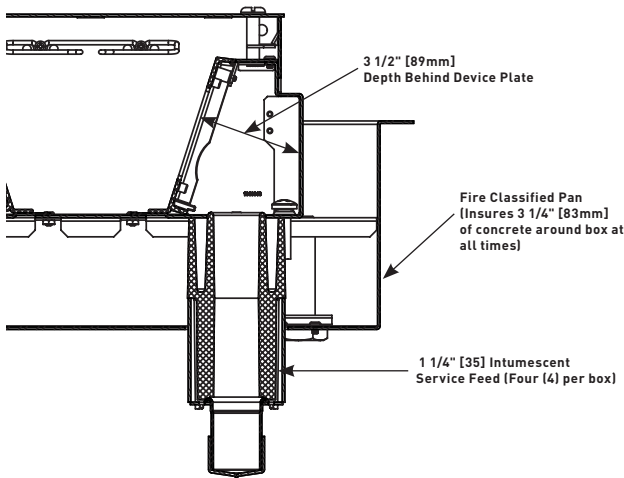
### EFB10S-FC 10 -Gang Fire-Classified Floor Box



Designed to be installed in above grade concrete floors while maintaining the fire classification of the floor. This box is classified for use in 2-hour fire rated floors. **Box comes complete with all components needed for initial installation. Included components are:** protective/disposable cover, tunnel system for connecting the two modules of compartments, fire classified pan, two (2) removable modules, four (4) 1 1/4" trade size intumescent conduit feeds and two (2) cable management guides. **Items not included with the box and sold separately are:** receptacles, communication jacks, and A/V devices and device plates.

**NOTE:** For use on bare (polished) concrete or terrazzo floors EFB610-CTR must be used. (Sold separately).  
**NOTE:** Designed for new construction applications.

**NOTE:** Consult structural engineer before making cuts into decking. Add additional supports as instructed by the structural engineer.

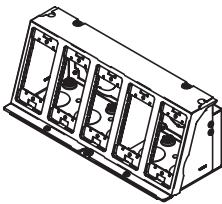


#### Outlet Boxes and Fittings Classified for Fire Resistance Legrand/Wiremold (R8209)

Type EFB6S-FC, EFB8S-FC and EFB10S-FC preset electrical insert for use in 2-hour fire rated D900 Series Floor-Ceiling designs constructed with nominal 2" or 3" deep fluted steel floor units having a nominal 5" wide valley and crests spaced 12" OC, with a minimum 3 1/4" [83mm] thickness of structural concrete topping. The assembly preset electrical insert with floor plate kit and service activations fitting will not reduce the 2-hour fire rating of the floor assembly when installed in accordance with the installation instructions accompanying the preset electrical insert and when the preset electrical insert are spaced 2' [0.61m] OC with not more than one unit per 4 square feet [0.37m<sup>2</sup>] of floor area in each span.

## Evolution™ Series 10-Gang Floor Box Accessories Ordering Information

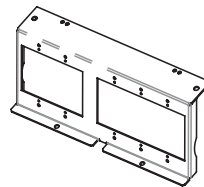
### EFB10M Module



Bank of five (5) compartments that accept power, communications and audio/video devices. Accepts EFB10 Series device plates [2 1/32" x 4 5/8"] [58mm x 117mm]. Includes one mounting bracket, one back plate, one divider, two (2) end caps and two (2) knockout plates. Device plates sold separately.

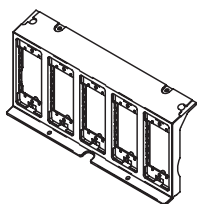
**NOTE:** Module will fit on either side of the floor box.

### EFB10S-23GMB Mounting Bracket



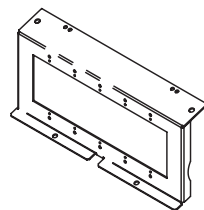
Equipped with one (1) 2-gang standard size device opening and one (1) 3-gang standard size device opening. Accepts a standard 2-gang [4 9/16" x 4 1/2" [116mm x 114mm]] and a 3-gang [6 3/8" x 4 1/2" [162mm x 114mm]] device plate. Ideal for 2-gang A/V devices such as Crestron® 2-gang and 3-gang digital media devices. Device plates and devices supplied by others.

### EFB10-MB Mounting Bracket



Holds up to five (5) devices for power, communications or audio/video. Bracket accepts EFB10 Series device plates [2 1/32" x 4 5/8"] [58mm x 117mm] device plates sold separately.

### EFB10S-5GMB Mounting Bracket



Holds a standard 5 gang device plate. Device plate dimensions: 10" x 4 1/2" [254mm x 116mm].