

FLOOR BOX SYSTEMS

Quick Selection Guide

Wiremold® Floor Boxes are TopGuard protected to meet and exceed the UL scrub water exclusion requirement.



On-Grade Floor Boxes for Concrete Floors

PVC BOXES										
Box Model	Box Type	Service Capability	Box Capacity	Box Construction	Depth Behind Device Plates	KO Sizes	Cover Model	Cover Construction	Cover & Flange Part Nos.	Notes
Ratchet-Pro 881	Round	Single	1 Gang	PVC	1 3/4" [44mm]	1" Trade Size	Metal, Polycarbonate	Tile, Carpet	895, 896	Flush Devices, On-Grade or Above-Grade
Ratchet-Pro RPNFB	Round	Dual	2 Gangs	PVC	3 1/2" [89mm]	3/4" - 2"	Die-Cast Aluminum	Tile, Carpet	RPAV3CTC, RP7CTC, RPAMD4CTC, RPAMD8CTC, RP4FFCTC, RP9AM2CTC	Surface Devices, On-Grade or Above-Grade
Modulink 880MP2	Rectangular	Single	1 Gang	PVC	1 3/4" [44mm]	1/2" - 2" Trade Size	Metal, Polycarbonate	Tile, Carpet	817, 818, 828, 829, 830 Series	Flush Devices, On-Grade or Above-Grade
Modulink 880MP2	Rectangular	Single	2 or 3 Gangs	PVC	1 3/4" [44mm]	1/2" - 2" Trade Size	Metal, Polycarbonate	Tile, Carpet	827, 828, 829, 830, 837, 838 Series	Flush Devices, On-Grade or Above-Grade

EPOXY PAINTED METAL & CAST IRON BOXES										
Box Model	Box Type	Service Capability	Box Capacity	Box Construction	Depth Behind Device Plates	KO Sizes	Cover Model	Cover Construction	Cover & Flange Part Nos.	Notes
Ratchet-Pro RPSFB-0G	Round	Dual	2 Gangs	PVC	3 1/2" [89mm]	3/4" - 2"	Die-Cast Aluminum	Tile, Carpet	RPAV3CTC, RP7CTC, RPAMD4CTC, RPAMD8CTC, RP4FFCTC, RP9AM2CTC	Surface Devices, On-Grade or Above-Grade
RFB Series RFB2-0G	Rectangular	Triple	2 Gangs	Steel	3" [76mm]	3/4" - 1 1/4" Trade Size	FloorPort™ Die-Cast Aluminum	Tile, Carpet, Wood, Terrazzo	FPCT, FPBT, FPFPT Series	Recessed Devices, Fully Adjustable
RFB Series RFB4-C1-1	Rectangular	Dual	4 Gangs	Cast Iron	2" [51mm]	1" - 1 1/4" Trade Size	FloorPort™ Die-Cast Aluminum	Tile, Carpet	FPCT, FPBT, FPFPT Series	Recessed Devices, Fully Adjustable
RFB Series RFB4E-0G	Rectangular	Triple	4 Gangs	Steel	3 1/2" [89mm]	3/4" - 2" Trade Size	Evolution Round Poke-Thru Cover	Tile, Carpet, Wood, Terrazzo, Bare Concrete	6CT Series	Recessed Devices, Fully Adjustable
RFB Series RFB6-0G	Rectangular	Triple	6 Gangs	Steel	3 1/4" [83mm]	3/4" - 1 1/4" Trade Size	FloorPort™ Die-Cast Aluminum	Tile, Carpet, Wood, Terrazzo	FPCT, FPBT, FPFPT Series	Recessed Devices, Fully Adjustable
RFB Series RFB6E-0G	Rectangular	Triple	6 Gangs	Steel	3 1/4" [83mm]	3/4" - 1 1/4" Trade Size	Evolution™ Round Poke-Thru Cover	Tile, Carpet, Wood, Terrazzo, Bare Concrete	8CT Series	Recessed Devices, Fully Adjustable
RFB Series RFB9-0G	Rectangular	Triple	9 Gangs	Steel	2 1/2" [64mm]	3/4" - 1 1/4" Trade Size	Die-Cast Aluminum	Tile, Carpet, Wood, Terrazzo	RFB119CTC, RFB119BTC	Recessed Devices, Fully Adjustable
RFB Series RFB11-0G	Rectangular	Triple	11 Gangs	Steel	2 1/2" [64mm]	3/4" - 2" Trade Size	Die-Cast Aluminum	Tile, Carpet, Wood, Terrazzo	RFB119CTC, RFB119BTC	Recessed Devices, Fully Adjustable
Evolution Series EFB6S-0G	Rectangular	Triple	6 Gangs	Steel	3 7/8" [98mm]	3/4" - 2" Trade Size	Evolution Rectangular Die-Cast Aluminum	Tile, Carpet, Wood, Terrazzo, Polished Concrete	EFB610CTC, EFB610BTC, EFB610BT, EFB610CT	Removable Modules, Standard Size Device Plates

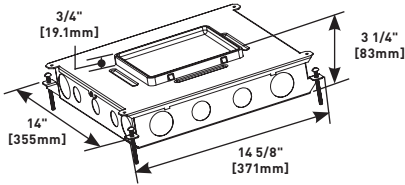
NOTE: Most Wiremold floor boxes and accessories are listed by Underwriters Laboratories Inc., and comply with Federal Specifications W-C-583b in one of the following types and classes: Type I-Fully adjustable, Type II-Semi-adjustable, Type III-Non-adjustable, Class 1-Watertight, Class 2-Concrete-tight.

RESOURCE RFB® SERIES FLOOR BOXES

RFB6 Series

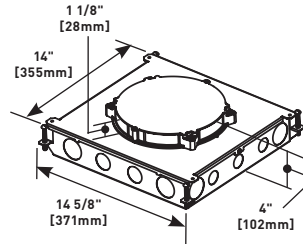
RFB6 & RFB6E Multiservice Steel Recessed Floor Boxes Ordering Information

RFB6 Six-Compartment Box



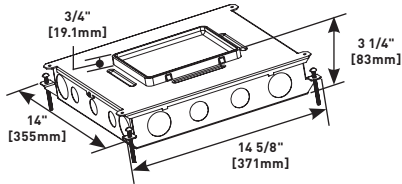
For use in either concrete or wood floors. Fully adjustable with tunnel compartment. Supplied with two (2) duplex mounting plates, two (2) communication mounting plates (RFB62A), and (2) blank mounting plates. Other plates sold separately.

RFB6E Six-Compartment Box



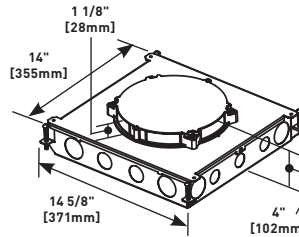
For use in concrete floors. For use with round Evolution™ Series covers. Fully adjustable with tunnel compartments. Supplied with two (2) duplex mounting plates. Other plates sold separately.

RFB6-OG Six-Compartment On-Grade Box



For use in either concrete or wood floors. Fully adjustable with tunnel compartment. Supplied with two (2) duplex mounting plates, two (2) communication mounting plates (RFB62A), and (2) blank mounting plates. Other plates sold separately.

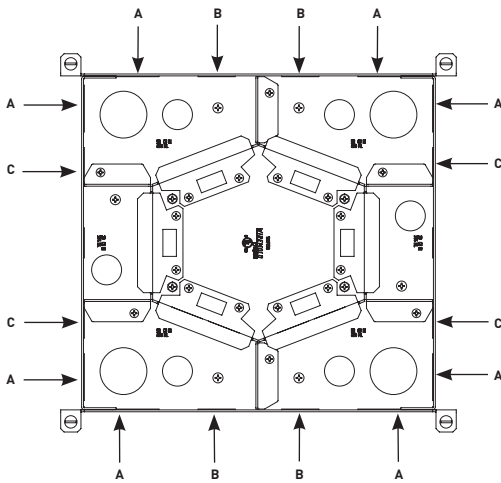
RFB6E-OG Six-Compartment On-Grade Box



For use in concrete floors. For use with round Evolution™ Series covers. Fully adjustable with tunnel compartments. Supplied with two (2) duplex mounting plates. Other plates sold separately.

RFB6 & RFB6E Series Multiservice Steel Recessed Floor Boxes Compartment Capacities, Knockout Locations and Sizes

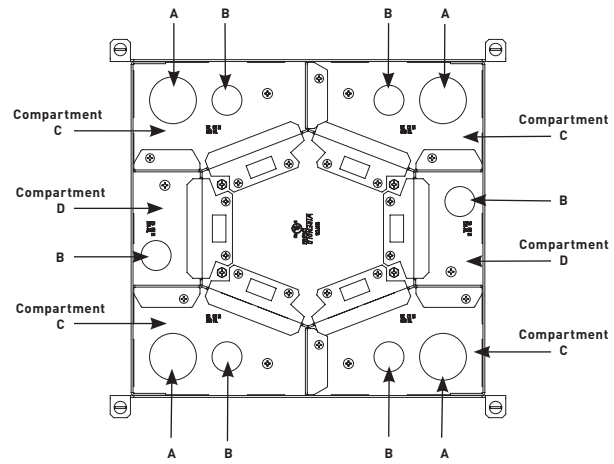
Side Knockout Locations



KNOCKOUTS

- A = Side KO 1 1/4" [32mm]
- B = Side KO 1" [25mm]
- C = Side KO 3/4" [19.1mm]

Bottom Knockout Locations
Compartment Wire and Communication Capacities



KNOCKOUTS

- A = Bottom KO 1 1/4" [32mm]
- B = Bottom KO 3/4" [19.1mm]

COMPARTMENT CAPACITIES

- C = Power or Data 52 in³ [852ml]
- D = Power or Data 23 in³ [376ml]