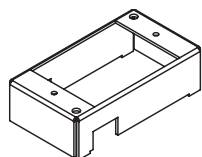


# EVOLUTION™ 6AT SERIES POKE-THRU DEVICES

## Evolution 6AT Series Bottom Feed Center Mount Device Plates Ordering Information

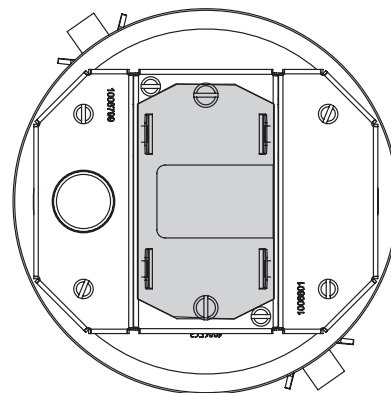
### 1BHA Bottom Housing Assembly



One-gang bottom housing assembly. Designed to accept 175CHA, 175CHA-LJB, 1125CHA, 1PHTA, and 1BLH plates.

### 6AT Bottom Feed Center Mount Device Plate Location

All Bottom Housing Assemblies on this page can be installed in the shaded locations indicated in this illustration.



### Copper Cross Sectional Area of Commonly Used Conductors

| SIZE | SOLID           |                           |
|------|-----------------|---------------------------|
| #24  | 0.00032 sq. in. | [0.20645mm <sup>2</sup> ] |
| #22  | 0.00050 sq. in. | [0.32258mm <sup>2</sup> ] |
| #14  | 0.00323 sq. in. | [2.08386mm <sup>2</sup> ] |
| #12  | 0.00512 sq. in. | [3.30321mm <sup>2</sup> ] |
| #10  | 0.00815 sq. in. | [5.25805mm <sup>2</sup> ] |
| #8   | 0.01296 sq. in. | [8.36127mm <sup>2</sup> ] |

### 6AT Hole Sizes

| FLOOR TYPE                            | HOLE SIZE (Min.) | HOLE SIZE (Max.) |
|---------------------------------------|------------------|------------------|
| Covered Floors (Carpet, Tile or Wood) | 6" [152mm]       | 6 1/8" [156mm]   |
| Bare Concrete or Terrazzo             | 6 1/16" [154mm]  | 6 1/8" [156mm]   |

**NOTE:** Use above values for solid or stranded conductors.

**CAUTION:** Receptacle supplied with this Poke-Thru is not suitable for direct field wiring. Contact manufacturer for replacement. Field modifications will void UL Listing and Classification. Replacement receptacle is limited to this manufacturers' Catalog No 68REC.

### 6AT Copper Cross-Section

|                      | OUTER CHANNELS                       | CENTER CHANNEL                         |
|----------------------|--------------------------------------|--|
| Max Copper X Section | 0.0154 sq. in. [9.9mm <sup>2</sup> ] | 0.0387 sq. in. [24.97mm <sup>2</sup> ] |
| Max # Conductors     | (3) 12 AWG or (4) Cat 6A             | (12) 14 AWG or (12) Cat 6A             |

### 6ATCFF Copper Cross-Section – Furniture Feed Poke-Thru Devices

|                      | POWER CHANNEL                        | DATA CHANNEL (CENTER)                 | DATA CHANNEL (OUTSIDE)        |
|----------------------|--------------------------------------|---------------------------------------|-------------------------------|
| Max Copper X Section | .0815 sq. in. [52.6mm <sup>2</sup> ] | 0.0686 sq. in. [44.3mm <sup>2</sup> ] | 0.0187 [12.1mm <sup>2</sup> ] |
| Max # Conductors     | (10) 10 AWG                          | (22) Cat 6a                           | (6) Cat 6a                    |

**NOTE:** When using conductor sizes other than listed above, the aggregate cross-sectional area of the copper conductors shall not exceed the cross-sectional areas listed.