

WALLSOURCE™ SERVICE BOXES



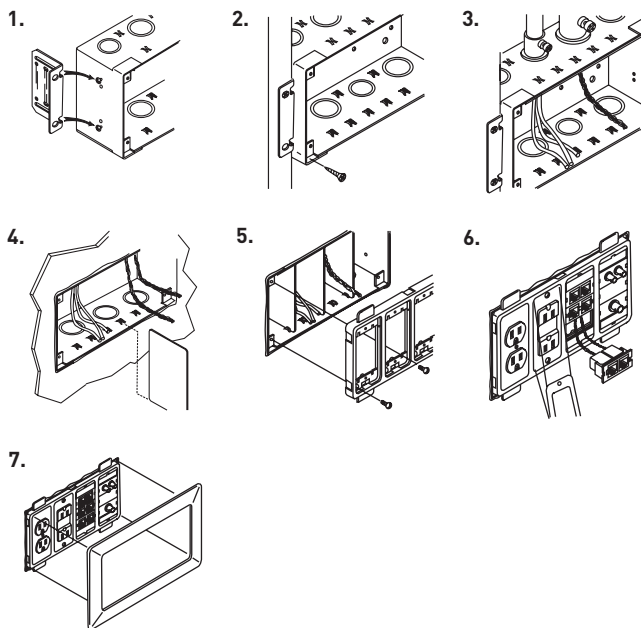
Wiremold® WallSource™ Multiple Service Boxes are six-gang boxes that can accommodate multiple services including power and communications eliminating multiple drops and uneven wall faceplates.

CODE REFERENCE

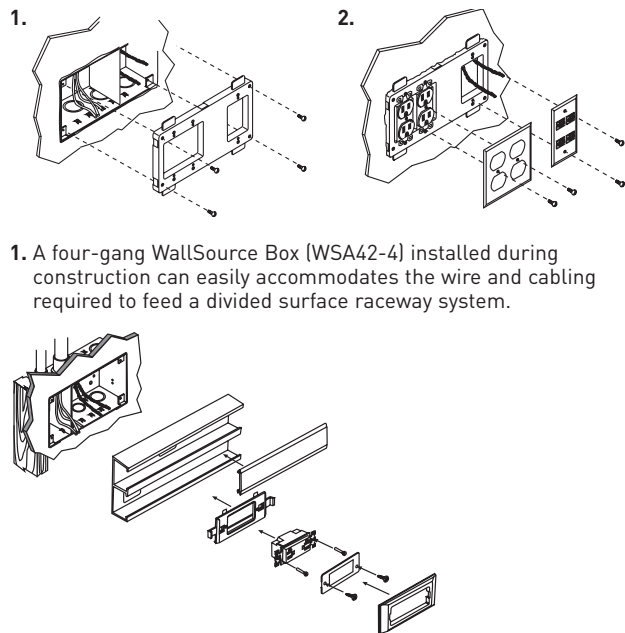
UL Listed Wireway, Auxiliary Gutters & Associated Fittings:
File E2961 Guide QCIT.
Meets Article 314 of NEC.

WallSource Box Installation Details

WSA42-4 Box Installation Shown



Installing WSA00-4 on WSA42-4



1. A four-gang WallSource Box (WSA42-4) installed during construction can easily accommodate the wire and cabling required to feed a divided surface raceway system.

COLOR OPTIONS



Wallsource Multiple Service Boxes and components are available in ivory, black, gray, light gray or white as indicated in the part number descriptions.

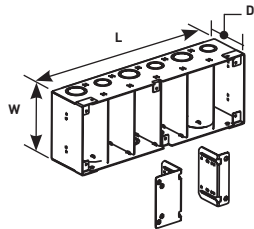
Custom color options are also available. Consult the factory for more information.

WALLSOURCE™ SERVICE BOXES

WallSource Service Boxes Ordering Information

WSC42-6

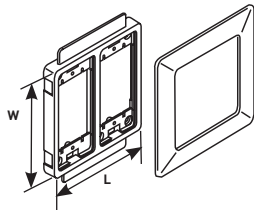
Wallsource Box, Divider & Mounting Brackets



Slide-in dividers separate the box for power and communication services. Adjustable mounting brackets offer flexibility to flush mount box in 1/2", 5/8", 1", and 1 1/4" [12.7mm, 15.9mm, 25mm, and 32mm] wall thicknesses.

ORDERING DATA							
CAT. NO.	L	W	D	Gang	Trade Size KOs		
WSA42-6	13 3/4"	[350mm]	5"	[127mm]	3 1/4"	[83mm]	6 1/2", 3/4", 1", 1 1/2"

WSB07-2A Device Mounting Bracket & Trim Ring

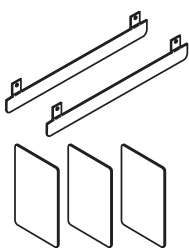


Self-leveling bracket accommodates a wide variety of electrical and communications devices. The trim ring hides the holecut to give the box a finished look. For use with: 5507 Series Faceplates, Ortronics® TracJack & Series II Modules, Pass & Seymour Activate Series Inserts

and Wiremold Open System Communication Modules. Available in white (WSB07-2AWH), black (WSB07-2ABK), gray (WSB07-2AG), and gray (WSB07-2AGY).

ORDERING DATA					
CAT. NO.	L		W		GANG
WSB07-2A	6 13/16"	[173mm]	7"	[177mm]	2

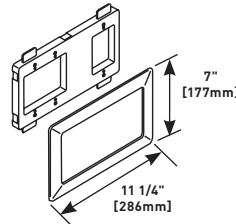
WSA86 Backfeed Kit



For backfeeding 4000, 6000, 5400, 5500 and ALA4800 Series Raceways. Use included templates to easily cut entrances into raceway. Use the dividers for UL Listed separation. Use the backfeed plate with 4000 and 6000 Series Raceway to completely cover wall hole cut. Includes ivory and gray pieces.

WSA00-4

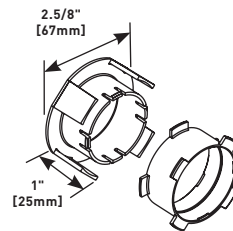
Open Architecture Device Mounting Bracket & Trim Ring



Self-leveling bracket accommodates a wide variety of electrical and communications devices. This bracket accommodates a standard single- and dual-gang faceplate. The trim ring hides the holecut to give the box a finished look. Standard color is Ivory, for other colors

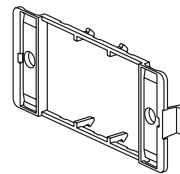
add one of the following: white (WSA00-4WH), black (WSA00-4BK) and gray (WSA00-4GY).

FSS-18 Fiber Storage Loop



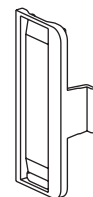
Use this loop to store 18" [457mm] of cable with a controlled 1" [25mm] bend radius.

CM-EPLA End Plates



Includes two outlet identification labels with clear covers and two matching screw covers. Required for mounting Pass & Seymour Activate™ and Wiremold Open System communication modules into the WSX07-X Series device brackets.

S2-EPL End Plates



Includes two outlet identification labels with clear covers and two matching screw covers. Required for mounting Ortronics® Series II modules into the WSX07-X Series device brackets.

Parts identified with this symbol are Certified to Canadian Safety Standards for sale in Canada. When ordering these products, add "C" suffix to part number to denote the Canadian version, i.e. "WSB42-2C".