

AL5200 SERIES™ RACEWAY



Two-piece raceway. Field-installed divider provides for numerous raceway channel configurations. Satin anodized finish complements decor in commercial offices, laboratories, and health care facilities.

CODE REFERENCE

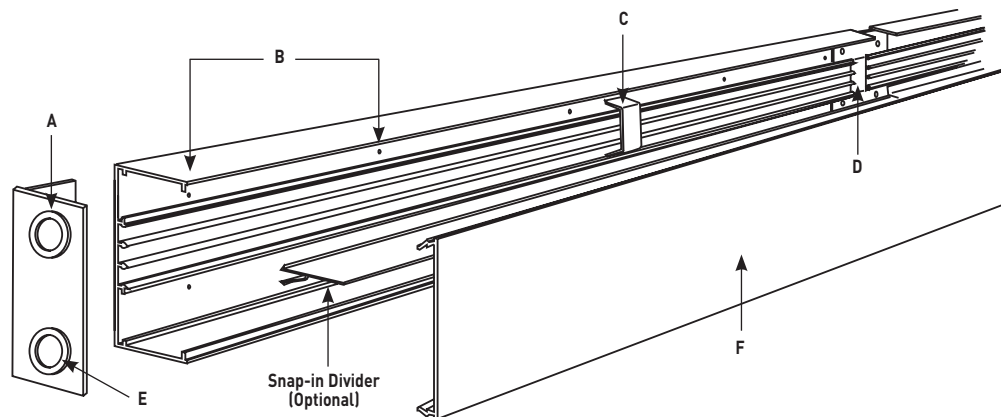
cULus Listed Raceway:
File E4376 Guide RJPR.

Fittings:
File E41751 Guide RJPR.

Raceway & Fittings:
Meet Article 386 of NEC.

Multioutlet Assemblies:
Meet Article 380 of NEC.

AL5200 Raceway System Layout



KEY

- A Provide electrical feed through 1/2" or 3/4" [12.7mm or 19.1mm] KOs in AL5210B2 End Cap.
- B Attach base section to mounting surface by drilling 9/32" [7.1mm] holes in the base, and using #8 flathead screws.
- C Secure conductors in place with AL5200WC Wire Clip.
- D Join additional raceway sections with two AL5201 Couplings.
- E Close ends with AL5210B2 Blank End Fittings.
- F Snap cover into base to complete installation.

NOTE: Illustration is for showing product applications only.

COLOR OPTIONS

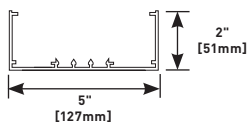


AL5200 Series™ Raceway is available with a satin anodized finish.

AL5200 SERIES™ RACEWAY

AL5200 Series Raceway Ordering Information

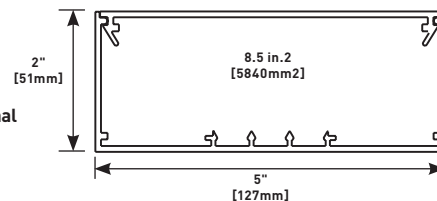
AL5200B-5, AL5200B-10 Raceway Base



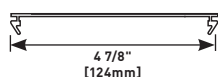
6063-T5 extruded aluminum, satin anodized finish, .080" [2.03mm] wall thickness. Base has four ribs for snap-in divider. AL5200B-5 is packed eight 5' [1.5m] lengths and AL5200B-10 is packed four 10' [3m] lengths per carton.

Raceway may be configured in single or multiple channels in several versatile ways to accommodate power or communications wiring.

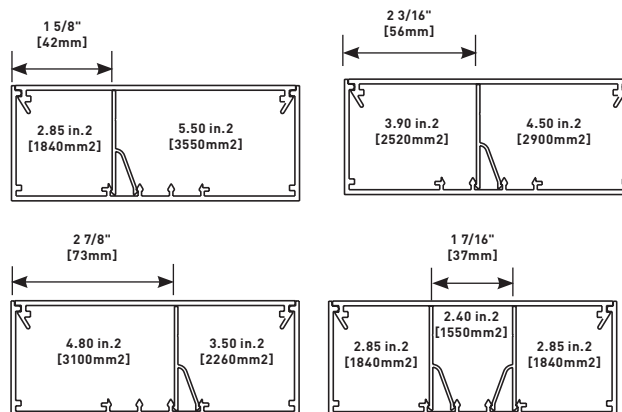
NOTE: Cross-sectional area of each compartment indicated.



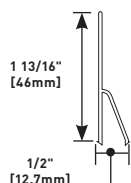
AL5200C-5, AL5200C-10 Raceway Cover



6063-T5 extruded aluminum, satin anodized finish, .075" [1.9mm] wall thickness. AL5200C-5 is packed eight 5' [1.5m] lengths and AL5200C-10 is packed four 10' [3m] lengths per carton.

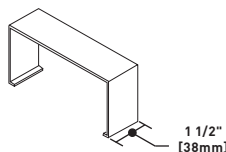


AL5200D-5, AL5200D-10 Divider



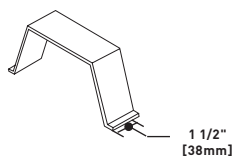
Extruded .050" [1.8mm] thick aluminum. AL5200D-5 is packed eight 5' [1.5m] lengths and AL5200D-10 is packed four 10' [3m] lengths per carton.

AL5206 Cover Clip (Spring Steel)



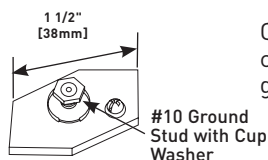
Covers seam where lengths of cover or base come together.

AL5200WC, AL5200WC2, AL5200WC3 Wire Clip



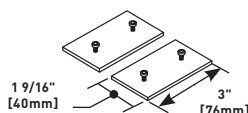
For holding conductors in place in long raceway runs. Snaps into grooves in raceway. AL5200WC Full, AL5200WC2 3/4, and AL5200WC3 1/2.

AL5209 Grounding Adapter



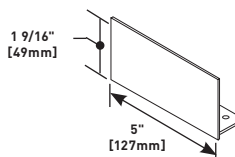
Connects equipment grounding conductor to provide an additional ground to raceway.

AL5201 Coupling



Set screw couplings. Use two for attaching in-line raceway sections.

AL5210B Blank End Fitting



Closes off open ends of raceway.