

5500 SERIES™ RACEWAY

Large Capacity, Multiple Channel



Large capacity, multiple channel raceway. Lightweight and easy to cut. Ideal for power or communication installations where flexibility for future moves and changes is important.

CODE REFERENCE

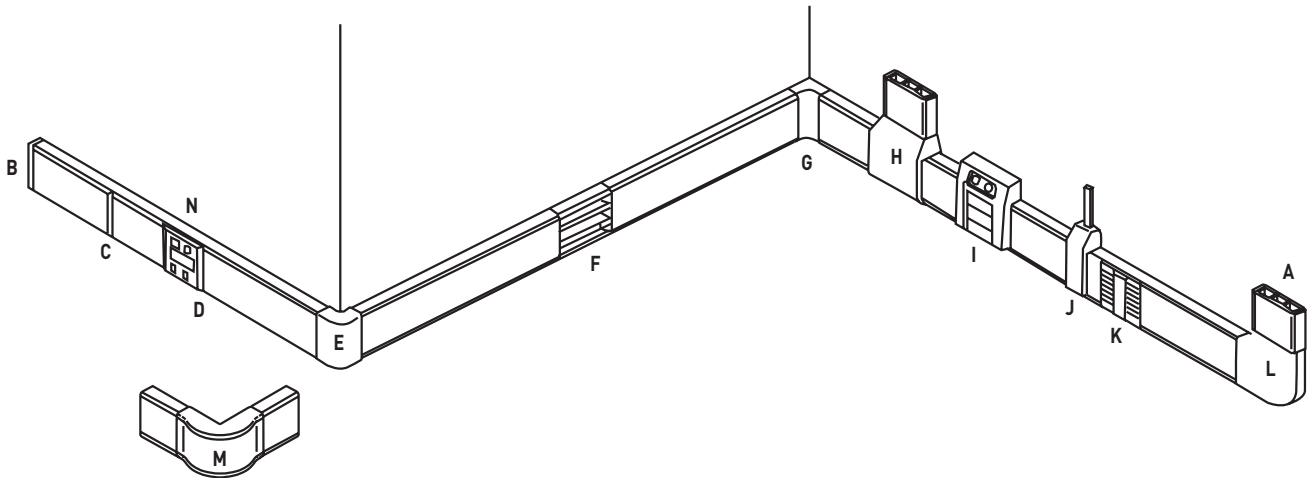
Listed Raceway:

File E90378 Guide RJTX.
Complies with flammability requirements of UL-5A.

Fittings: File E90377 Guide RJYT.

Meets Article 388 of NEC.
UL Listed for up to 600V.
Meets Section 12-1600 of CEC.

5500 Series Raceway System Layout



NOTE: Illustration is for showing product applications only.

KEY

- | | | |
|--------------------------------------|---|---|
| A. 5510 End Cap/Entrance End Fitting | G. 5517FO Radiused Full Capacity Internal Elbow | L. 5511FO Radiused Full Capacity Flat Elbow |
| B. 5510D Entrance End Fitting | H. 5515 Tee Fitting/Take-Off Connector | M. 5518FO Radiused Full Capacity External Elbow |
| C. 5506 Cover Clip | I. 5550A4 Multiple Device Bracket | N. Communication Devices |
| D. 5550 In-Line Device Bracket | J. 5574 or 5574A Inline Transition Fitting | |
| E. 5518 External Elbow | K. 5500WCA Wire Clip | |
| F. 5514A Back Connector Feed | | |

COLOR OPTIONS



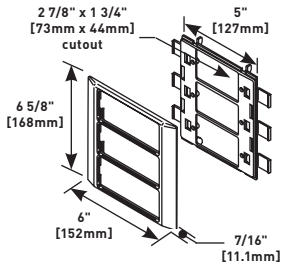
5500 Series™ Raceway Part Numbers with a "-WH" suffix have a white finish. Part Numbers without a suffix are only available in an ivory finish. 5500 Series Raceway is paintable using latex paint.

Custom color options are also available. Consult the factory for more information.

5500 SERIES™ RACEWAY

Ordering Information

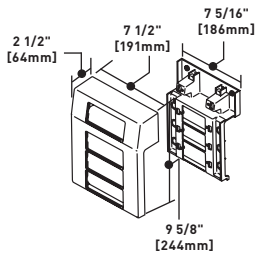
5550 Device Inline Bracket



For mounting up to three power and communication devices with the 5500 Series Raceway. Utilizes 5507 Series™ Faceplates, Wiremold Open System communication modules, Ortronics® TracJack and Series II inserts, and Pass & Seymour® Activate Series inserts. For faceplate options, see 5507 Series™ Faceplates. Available in ivory (5550) and white (5550-WH).

NOTE: CM-EPLA End Plates are required when using Wiremold communication modules and Pass & Seymour® Activate inserts. S2-EPL End Plates are required when using Ortronics® Series II inserts. To mount TracJack inserts, use 5507-4TJ or 5507-6TJ Faceplates.

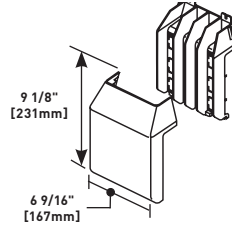
5550A4 Offset Mounting Device Bracket



For mounting up to four power and communication devices at one location. Utilizes 5507 Series™ Faceplates, Wiremold Open System communication modules, Ortronics® TracJack and Series II inserts, and Pass & Seymour® Activate Series inserts. For faceplate options, see 5507 Series™ Faceplates. Available in ivory (5550A4) and white (5550A4-WH).

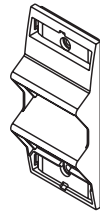
NOTE: CM-EPLA End Plates are required when using Wiremold communication modules and Pass & Seymour® Activate inserts. S2-EPL End Plates are required when using Ortronics® Series II inserts. To mount TracJack inserts, use 5507-4TJ or 5507-6TJ Faceplates.

5574A Transition Fitting



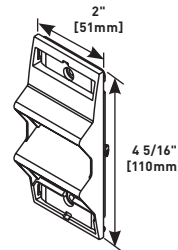
Makes transition from 5500 Series Raceway to 5400 Series Raceway. Available in ivory (5574A) and white (5574A-WH).

ARA-S2 Angled Raceway Adapter



Provides angled exit in multi-channel raceway systems. Snaps into standard 4050, 5450, 5450T, 5550, 40N2F31 and WallSource Device Brackets. Angled exit provides additional mounting depth required for A/V connections as well as ensuring the required bend radius for UTP and fiber optic cabling. Holds two Ortronics® Series II modules. Fits 5507 Series Faceplate opening.

CM-ARA Angled Raceway Adapter



Provides angled exit in multi-channel raceway systems. Snaps into standard 4050, 5450, 5450T, 5550, 40N2F31 and WallSource Device Brackets. No CM-EPLA End Plates required. Accepts two CM2 Series Wiremold Open System communication modules or Pass & Seymour® Activate Series inserts.

5500 Series Raceway Interconnectivity Fittings

FROM	CONNECTION REQUIRED		USE CATALOG NUMBER
		TO	
5500BD3 Series Raceway	400BAC, 800BAC, 2300BAC		5574
5500BD3 Series Raceway	PN03, PN05, PN10 Series Raceway		5574
5500BD3 Series Raceway	5400TB Series Raceway		5574A
Existing Outlet	5500BD3 Series Raceway		5514A
1/2", 3/4", & 1" Trade Size Conduit or Armored Cable	Back of 5500BD3 Series Raceway		5514A or 5510D
1/2" Trade Size Conduit or Armored Cable	Side of 5500BD3 Series Raceway		5510 or 5510D
3/4", 1", 1 1/2" & 2" Trade Size Conduit or Armored Cable	Back or Side of 5500BD3 Series Raceway		5510D