

5400 SERIES™ RACEWAY

Large Capacity, Multiple Channel



Large capacity, multiple channel raceway. Lightweight and easy-to-cut. Ideal for power or communication installations that require multiple services.

CODE REFERENCE

Listed Raceway:

File E90378 Guide RJTX.

Complies with flammability requirements of UL-5A.

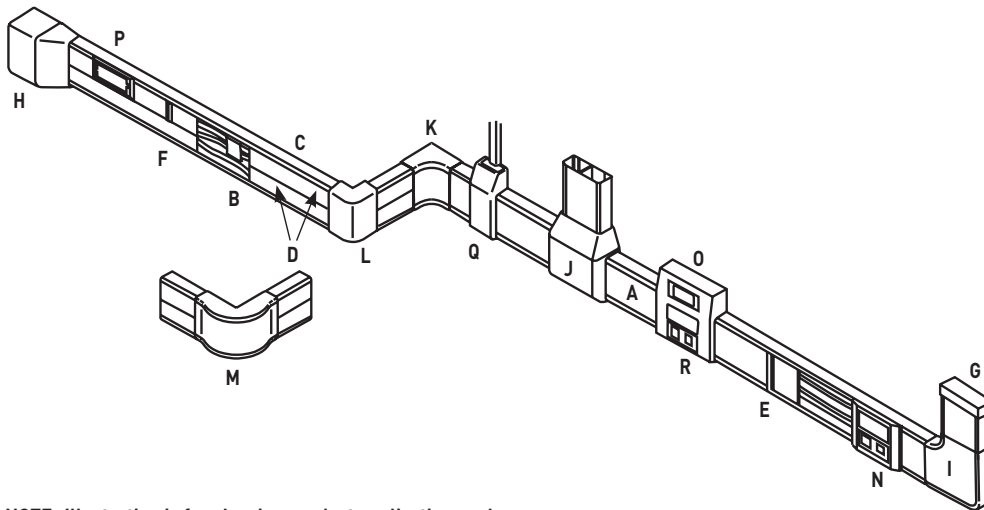
Fittings: File E90377 Guide RJYT.

Meets Article 388 of NEC.

UL Listed for up to 600V.

Meets Section 12-1600 of CEC.

5400 Series Raceway System Layout



NOTE: Illustration is for showing product applications only.

KEY

- | | | |
|---------------------------------|-----------------------------------|-----------------------------------|
| A. 5400C Raceway Cover | G. 5410 Entrance End Fitting | M. 5418FO Radiused External Elbow |
| B. 5400TWC Twin Cover Wire Clip | H. 5410DFO Entrance End Feed | N. 5450 In-Line Device Bracket |
| C. 5400TB Two Compartment Base | I. 5411FO Flat Elbow | O. 5450A3 Multiple Device Bracket |
| D. 5400TC Twin Snap Cover | J. 5415 Tee | P. 5450T Twin Snap Device Bracket |
| E. 5406A Cover Clip | K. 5417FO Radiused Internal Elbow | Q. 5474 Transition Fitting |
| F. 5406T Twin Cover Seam Clip | L. 5418 Standard External Elbow | R. Communication Device |

COLOR OPTIONS



5400 Series™ Raceway Part Numbers with a "-WH" suffix have a white finish. Part Numbers without a suffix are only available in an ivory finish. 5400 Series Raceway is paintable using latex paint or stain.

Custom color options are also available. Consult the factory for more information.

5400 SERIES™ RACEWAY

Ordering Information

MXN Series RACEWAY Wire Fill Capacities for Communications

| | CABLE/WIRE SIZE | O.D. (Approx. Dia.) | | SECTION EACH COMPARTMENT 40% FILL* |
|-------------------------|-------------------------|---------------------|---------|------------------------------------|
| | | Inches | [] | |
| UNSHIELDED TWISTED PAIR | 4-pair, 24 AWG, Cat 3 | 0.190 | [4.8] | 19 |
| | 4-pair, 24 AWG, Cat 5e | 0.210 | [5.3] | 16 |
| | 4-pair, 24 AWG, Cat 6 | 0.250 | [6.3] | 11 |
| | 4-pair, 24 AWG, Cat 6a* | 0.354 | [9.0] | 5 |
| | 25-pair, 24 AWG | 0.410 | [10.4] | 4 |
| COAXIAL | RG6/U | 0.270 | [6.9] | 9 |
| FIBER | ZipCord | 0.118 x 0.236 | [3 x 6] | 20 |
| | Round 4 Strand Fiber | 0.187 | [4.8] | 20 |
| | Round 6 Strand Fiber | 0.256 | [6.5] | 10 |

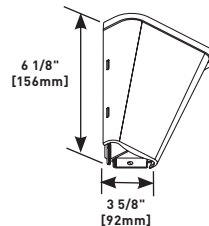
NOTE: For additional information, refer to the Technical Section.

* Category 6 augmented (6a) cable for 10 gigabit ethernet – max allowed cable diameter per addenda No. 11 ANSI TIA/EIA 568-B.2.

MXN Series Raceway Wire Fill Capacities for Power

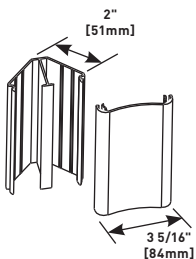
| WIRE SIZE THHN/THWN | O.D. (Approx. Dia.) Inches [] | NO. OF CONDUCTORS EACH COMPARTMENT |
|---------------------|--------------------------------|------------------------------------|
| 14 AWG | 0.111 [2.8] | 50 |
| 12 AWG | 0.130 [3.3] | 34 |
| 10 AWG | 0.164 [4.2] | 60 |
| 8 AWG | 0.216 [5.5] | 21 |

MXN2F21 Entrance End Fitting



For feeding corner drop raceway from large conduits. Has concentric 3/4", 1", and 1 1/2" trade size KOs. Available in standard ivory (MXN2F21) and white (MXN2F21-WH).

MXN2A08 Corner Drop Raceway Base and Cover



Used as a vertical corner feed drop to horizontal runs of 5400 Series Raceway. Two compartments. Packaged with base and cover. MXN2A08 available in 8' [2.44m] lengths. Available in standard ivory (MXN2A08) and white (MXN2A08-WH). Use 5408L or 5408R to transition to 5400 Series Raceway.

MXN2FWC Wire Clip



Retains wires in MXN2A08 Corner Drop Raceway.