

# ACCESS® 5000 RACEWAY

## Baseboard Molding



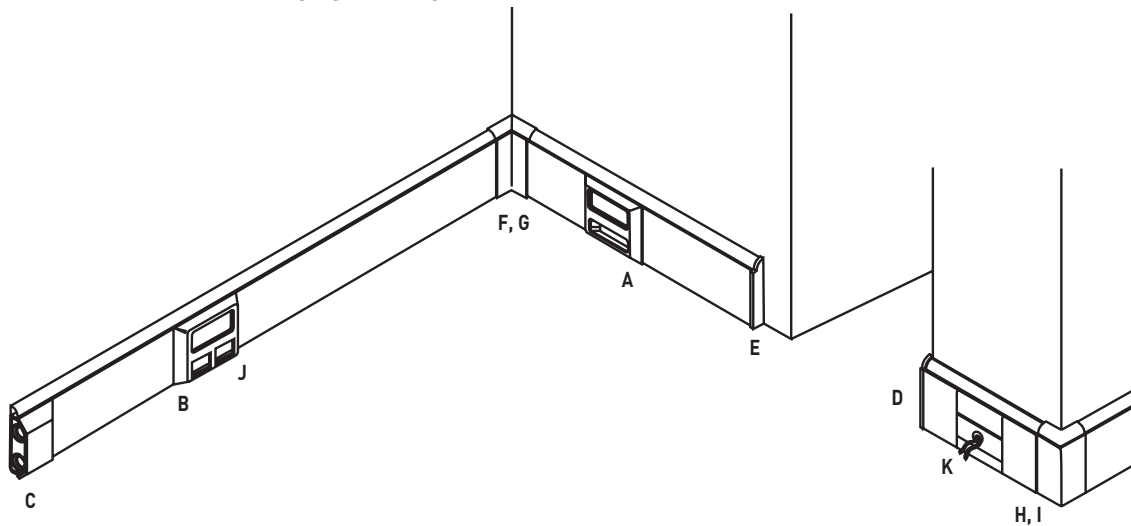
Attractive baseboard molding that organizes and conceals electrical wiring and communications cabling.

### CODE REFERENCE

**cULus Listed Raceway:**  
File E90378 Guide RJTX.  
Complies with flammability requirements of UL-5A.

**Fittings:** File E90377 Guide RJYT.  
Meets Article 388 of NEC.  
UL Listed for up to 600V.  
Meets Section 12-1600 of CEC.

### Access 5000 Series Raceway System Layout



**NOTE:** Illustration is for showing product applications only.

### KEY

- |   |                               |  |
|---|-------------------------------|--|
| A. 5007C-1A Device Bracket                    | E. 5010R Right End Cap        | I. 5018C External Cover Elbow                        |
| B. 5007C-2AB/5007C-2RT<br>Deep Device Bracket | F. 5017B Internal Base Elbow  | J. CM2, Series II, TracJack<br>Communication Devices |
| C. 5010A Entrance End Feed                    | G. 5017C Internal Cover Elbow | K. Back Feed Position                                |
| D. 5010L Left End Cap                         | H. 5018B External Base Elbow  |  |

### COLOR OPTIONS



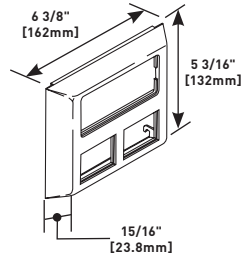
Access® 5000 Series Raceway Part Numbers with a "WH" suffix are available with a white PVC finish. Part Numbers with a "BK" suffix are available with a black PVC finish. Part Numbers with a "GY" suffix are available with a gray PVC finish. Part Numbers with a "W" suffix are available in a real maple veneer finish. Part Numbers with a "OA" suffix are available with a real oak veneer finish.

**Custom color options are also available. Consult the factory for more information.**

# ACCESS® 5000 RACEWAY

## Ordering Information

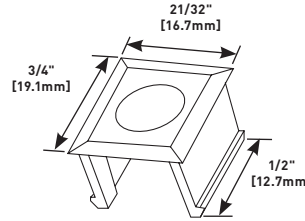
### 5007C-2RT Deep Device Plate



For mounting deeper devices such as TVSS receptacles, GFCI devices, and Pass & Seymour® Activate inserts. Accepts 5507 Series™ Faceplates, Ortronics® TracJack, and Series II Inserts. Bezels included. Available in white (5007C-2RTWH), black (5007C-2RTBK), or gray (5007C-2RTGY) PVC finishes.

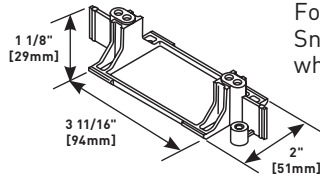
For faceplate options, see 5507 Series™ Faceplates.

### 5004 Blank/Coax Adapter



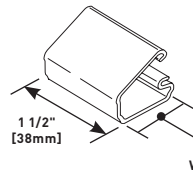
For use as a blank; has KO to accept an “F” type coax connector. Snaps into low-voltage slots on device plates. For use with 5007C-1AXX only. Available in white (5004WH), black (5004BK) and gray (5004GY) PVC or maple (5004W) or oak (5004OA) veneer finishes.

### 5007C Electrical Device Bracket



For mounting standard devices. Snaps into top section of base wherever an outlet is needed.

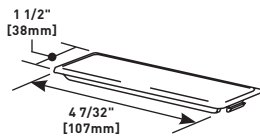
### 2700WC, 2800WC, 2900WC Wire Clip



Holds and secures wiring and cabling inside raceway. Mounts with adhesive backing. 2700WC is used for small bundles. 2800WC is used for bigger bundles. 2900WC is used for larger bundles in the top section only.

CAT. NO.	WIDTH	
	Inches	mm
2700WC	3/4"	[19.1]
2800WC	1"	[25]
2900WC	1 1/2"	[38]

### 5005 Low-Voltage Blank Plate



Blanks entire low-voltage recess in device plate. For use with 5007C-1AXX only. Available in white (5005WH), black (5005BK), or gray (5005GY) PVC finishes.