

ECLIPSE™ SERIES RACEWAYS

Single Channel



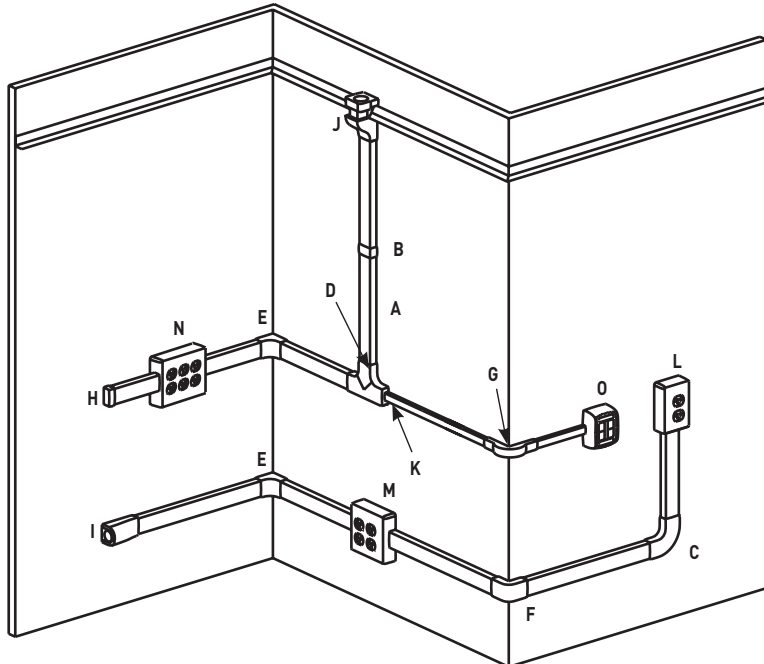
One-piece, latching, single-channel raceway available in three profiles. Easy-to-install and ideal for demanding communication designs. Accommodates communication or power wiring.

CODE REFERENCE

cULus Listed Raceway:
File E90378 Guide RJTX.
Complies with flammability requirements of UL-5A.

Fittings:
File E90377 Guide RJYT.
Meets Article 388 of NEC.
UL Listed for up to 600V.
Meets Section 12-1600 of CEC.

Eclipse Series PN03, PN05, PN10 Raceways System Layout



NOTE: Illustration is for showing product applications only.

KEY

- A. PN03L08, PN03L10, PN05L08, PN05L10, PN10L08, PN10L10 Latching Raceway
- B. PN03F06, PN05F06, PN10F06 Cover Clip
- C. PN03F11, PN05F11, PN10F11 90° Flat Elbow Fitting
- D. PN03F15, PN05F15, PN10F15 Tee Fitting
- E. PN03F17, PN05F17, PN10F17 Internal Elbow Fitting
- F. PN03F18, PN05F18, PN10F18 External Elbow Fitting
- G. PN03F19, PN05F19, PN10F19 Bend Radius External Elbow Fitting
- H. PN03F20, PN05F20, PN10F20 Blank End Fitting
- I. PN10F21 Entrance End Fitting
- J. PN05F86, PN10F86 Drop Ceiling Connector
- K. PN153R Reducer Adapter
- L. PSB1 One-Gang Device Box
- M. PSB2 Two-Gang Device Box
- N. PSB3 Three-Gang Device Box
- O. PBB2S2, PBB4TJ, PDB1CM, PDB1S2, PDB2CM, PDB2S2, PDB4TJ Communication Box

COLOR OPTIONS



Eclipse™ Series Raceway Part Numbers with a "-WH" suffix have a white finish. Part Numbers with a "-FW" suffix have a fog white finish. Part Numbers with a "-V" suffix have an ivory finish. Eclipse Series Raceways are paintable using latex paint.

ECLIPSE™ SERIES RACEWAYS

Ordering Information

Eclipse Series Raceway Wire Fill Capacities for Communications

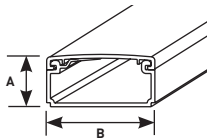
	CABLE/WIRE SIZE	O.D. (APPROX. DIA.)		40% FILL		
		Inches	[mm]	PN03	PN05	PN10
UNSHIELDED TWISTED PAIR	4-pair, 24 AWG, Cat 3	0.190	[4.8]	3	5	13
	4-pair, 24 AWG, Cat 5e	0.210	[5.3]	2	5	11
	4-pair, 24 AWG, Cat 6	0.250	[6.3]	1	3	8
	4-pair, 24 AWG, Cat 6a*	0.354	[9.0]	0	1	4
	25-pair, 24 AWG	0.410	[10.4]	0	1	3
COAXIAL	RG6/U	0.270	[6.9]	1	3	6
FIBER	ZipCord	0.118 x 0.236	[3 x 6]	3	6	14
	Round 4 Strand Fiber	0.187	[4.8]	3	6	14
	Round 6 Strand Fiber	0.256	[6.5]	1	3	7

Eclipse Series Raceway Wire Fill Capacities for Power

WIRE SIZE THHN/THWN	O.D.		NO. OF CONDUCTORS		
	Inches	[mm]	PN03	PN05	PN10
14 AWG	0.111	[2.8]	8	16	15
12 AWG	0.130	[3.3]	7	14	20
10 AWG	0.164	[4.2]	0	0	19

NOTE: For additional information, refer to the Technical Section.
 * Category 6 augmented [6a] cable for 10 gigabit ethernet – max allowed cable diameter per addenda No. 11 ANSI TIA/EIA 568-B.2.

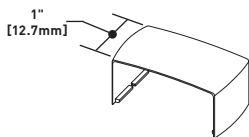
PN03L08, PN03L10, PN05L08, PN05L10, PN10L08, PN10L10 Latching Raceway



One-piece latching raceway with co-extruded hinge and adhesive backing. Available in 8' [2.44m] and 10' [3.0m] lengths.

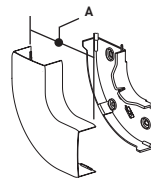
CAT. NO.	A	B
PN03L08-FW, -V, -WH	1/2" [12.7mm]	13/16" [20.6mm]
PN03L10-FW, -V, -WH	1/2" [12.7mm]	13/16" [20.6mm]
PN05L08-FW, -V, -WH	5/8" [15.9mm]	1 1/8" [29mm]
PN05L10-FW, -V, -WH	5/8" [15.9mm]	1 1/8" [29mm]
PN10L08-FW, -V, -WH	3/16" [20.6mm]	1 11/16" [43mm]
PN10L10-FW, -V, -WH	3/16" [20.6mm]	1 11/16" [43mm]

PN03F06, PN05F06, PN10F06 Cover Clip



For covering joint where two pieces of Eclipse PN03, PN05, or PN10 Series Raceway Cover come together. Available in fog white (PN03F06-FW, PN05F06-FW, PN10F06-FW), white (PN03F06-WH, PN05F06-WH, PN10F06-WH), and ivory (PN03F06-V, PN05F06-V, PN10F06-V).

PN03F11, PN05F11, PN10F11 Flat Elbow



For right angle turns on the same surface. 1" [25mm] bend radius.

CAT. NO.	A
PN03F11FW, -V, -WH	2 11/16" [68mm]
PN05F11FW, -V, -WH	2 15/16" [75mm]
PN10F11FW, -V, -WH	3 11/16" [94mm]