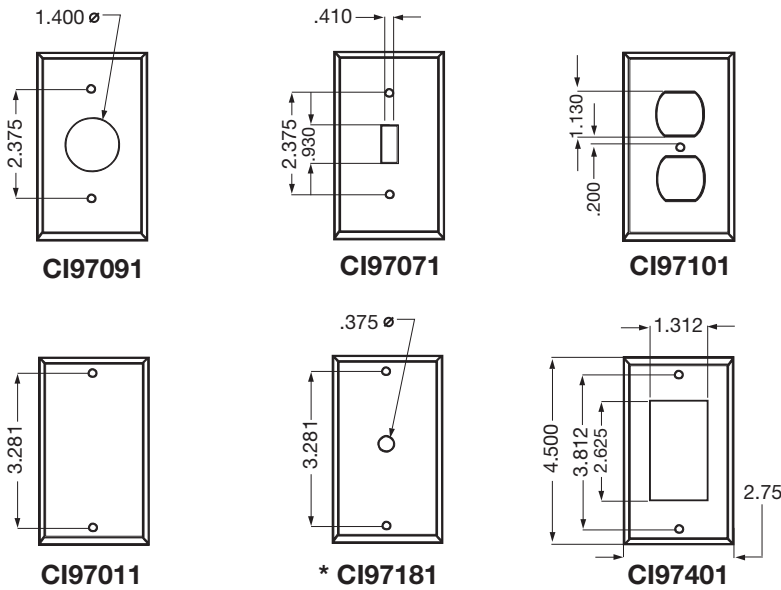


Device Boxes

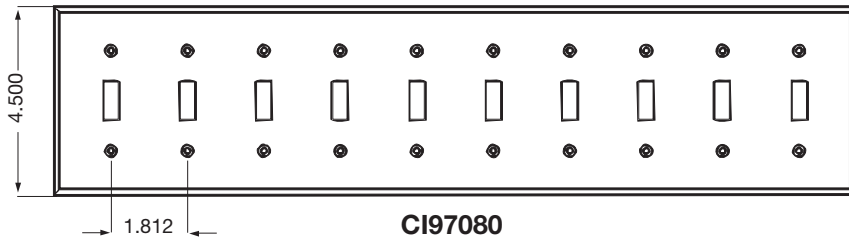
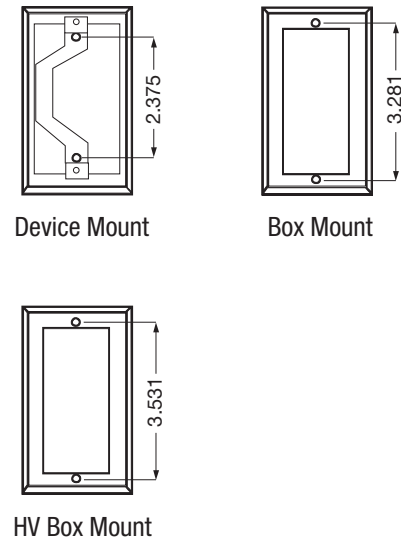
Stainless Steel Wall Plates

Dimensions

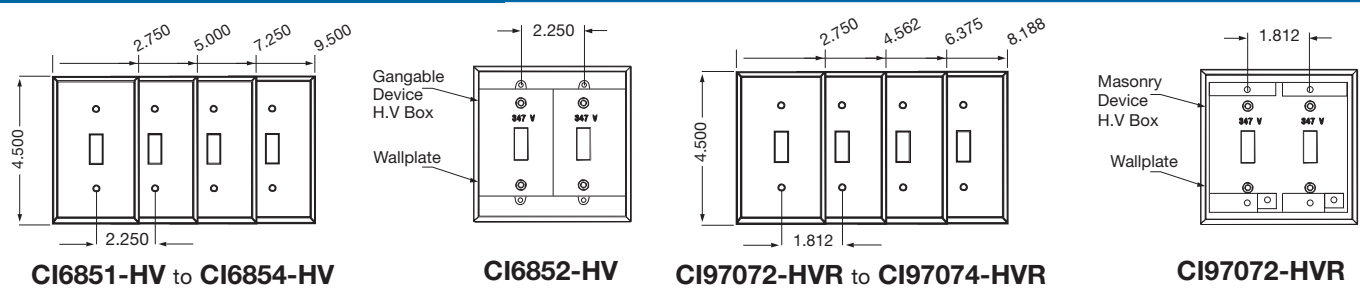
Standard all Plate



Mounting Hole Spacings



347 V Wall Plate




Dimensions are in inches.

Device Boxes

Stainless Steel Wall Plates

Selection Guide

DESCRIPTION	1 GANG	2 GANGS	3 GANGS	4 GANGS	5 GANGS	6 GANGS	7 GANGS	8 GANGS	9 GANGS	10 GANGS
Toggle Switch	CI97071	CI97072	CI97073	CI97074	CI97075	CI97076		CI97078	CI97079	CI97080
Duplex Receptacle	CI97101	CI97102								
Blank Boxes										
Mounting 3.281 in.	CI97011	CI97012	CI97013	CI97014						
Blank Device										
Mounting 2.375 in.	CI97121	CI97122	CI97123	CI97124						
GFCI / Decora	CI97401	CI97402	CI97403	CI97404	CI97405	CI97406				
GFCI Conversion Kit		BC97002								
Combination										
Switch / Receptacle		CI97532			CI97563	CI97573				
15 A Receptacle	CI97091									
Telephone 3/8 in. Opening	* CI97181									
Telephone 5/8 in. Opening	* CI97191									
Emergency On / Off	CI6851-RF									
347 V Toggle										
for 1204 Series	CI6851-HV	CI6852-HV	CI6853-HV	CI6854-HV						
347 V Blank										
for 1204 Series	CI97151-HV	CI97152-HV		CI97154-HV						
347 V Toggle	USE									
for MBD and MBS Series	CI6851-HV	CI97072-HVR	CI97073-HVR	CI97074-HVR						
347 V Blank	USE									
for MBD and MBS Series	CI97151-HV	CI97152-HVR		CI97154-HVR						

 * Not applicable.

Technical Specifications

Type 430 Stainless Steel

- 16% chrome
- Corrosion resistant
- Recommended for industrial, commercial and institutional applications
- Supplied with nickel plated brass screws
- 1 to 3 gangs — Vertically Brushed
- 4 gangs and up — Horizontally Brushed

347 V Boxes

Covers and Accessories



Cat. No.	Description
347 V Stainless Steel Wall Plates (for CI1204-HV Boxes)	
CI6851-HV	Single 347 V toggle switch
CI6852-HV	Two 347 V toggle switches
CI6853-HV	Three 347 V toggle switches
CI6854-HV	Four 347 V toggle switches

Note: Device mounting screws included. Lateral spacing 2-1/4" on CI6852-HV / CI6853-HV / CI6854-HV

Cat. No.	Description
347 V Partitions (Steel)	
CIHVP	High voltage partition to be used with 347 V boxes (CI1204 series) when ganged
347 V Device Box Extension	
CISBEX-HV	2 in. x 3 in. 347 V – Maximum adjustable depth – 1-7/8 in. – Complete with mounting screws