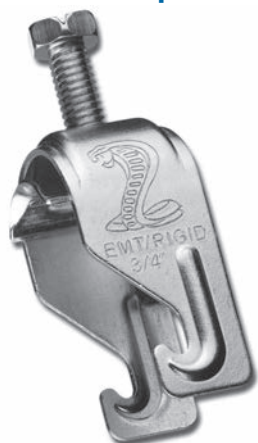


Pipe Straps, Pipe Clamps and Hangers

Conduit and Cable Clamps

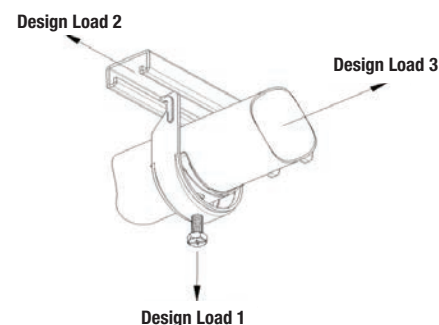
Cobra® Clamp



Standard material is commercial-grade, bright electrogalvanized steel.

Aluminum: Add the suffix **AL** to the catalogue number (i.e. CPC050AL)

Stainless steel: Add the suffix **SS6** to catalogue number (i.e.: CPC050SS6). Stainless steel bolt head is hexagonal and slotted only.



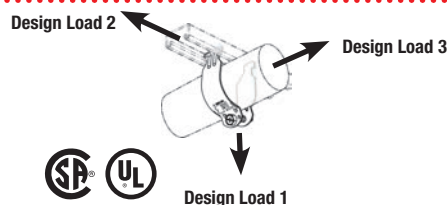
Cat. No.	EMT Trade Size (in.)	Rigid Cond. Trade Size (in.)	Cable O.D. Range (in.)	Static Load Limit (lb.) Safety Factor = 4	Qty. per Box	Wt./C lb.	Torque Value (ft.-lb.)
CPC025	1/4	1/4	0.312 - 0.600	200	100	8	35
CPC050	1/2	1/2	0.650 - 0.890	200	100	10	
CPC075	3/4	3/4	0.860 - 1.110	200	100	12	
CPC100	1	1	1.100 - 1.400	200	100	14	
CPC125	1 1/4	1 1/4	1.400 - 1.725	200	50	16	
CPC150	1 1/2	1 1/2	1.690 - 1.980	200	50	18	
CPC200	2	2	1.980 - 2.576	200	50	24	
CPC250	2 1/2	2 1/2	2.576 - 3.060	350*	25	36	
CPC300	3	3	3.060 - 3.626	350*	25	42	
CPC350	3 1/2	3 1/2	3.626 - 4.126	350*	25	46	
CPC400	4	4	4.126 - 4.626	350*	25	50	

* Aluminum product has a static load of 250 lb.

Design Load 1 Static Load Limit lb. (kg)	Design Load 2 lb. (kg)	Design Load 3 lb. (kg)
200 (91)	50 (23)	50 (23)
200 (91)		
200 (91)		
200 (91)		
200 (91)		
200 (91)		
200 (91)		
350 (159)		
350 (159)		
350 (159)		
350 (159)		
350 (159)		

Loc-King Cobra™ Clamp

- Superior design load capabilities for heavy-duty applications
- Pre-set torque prevents over-tightening
- Anti-vibration nut
- Steel construction with GoldGalv® finish



Cat. No.	EMT Trade Size (in.)	Rigid Cond. Trade Size (in.)	Cable O.D. Range (in.)	Static Load Limit (lb.) Safety Factor = 4	Qty. per Box	Wt./C lb.	Torque Value (ft.-lb.)
LKCPC050	1/2	1/2	0.650 - 0.890	100	15	10	35
LKCPC075	3/4	3/4	0.860 - 1.110	100	16	12	
LKCPC100	1	1	1.100 - 1.400	50	19	14	
LKCPC125	1 1/4	1 1/4	1.400 - 1.725	50	23	16	
LKCPC150	1 1/2	1 1/2	1.690 - 1.980	50	27	18	
LKCPC200	2	2	1.980 - 2.576	50	38	24	
LKCPC250	2 1/2	2 1/2	2.576 - 3.060	25	44	36	
LKCPC300	3	3	3.060 - 3.626	25	53	42	
LKCPC350	3 1/2	3 1/2	3.626 - 4.126	25	58	46	
LKCPC400	4	4	4.126 - 4.626	25	66	50	

Design Load 1 Static Load Limit lb. (kg)	Design Load 2 lb. (kg)	Design Load 3 lb. (kg)
300 (136)	50 (23)	50 (23)
300 (136)		
300 (136)		
300 (136)		
300 (136)		
300 (136)		
300 (136)		
450 (204)		
450 (204)		
450 (204)		
450 (204)		
450 (204)		