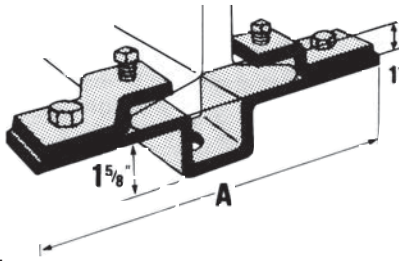


Beam Clamps

Beam Clamps for Mounting Channel

U520, U521, U522



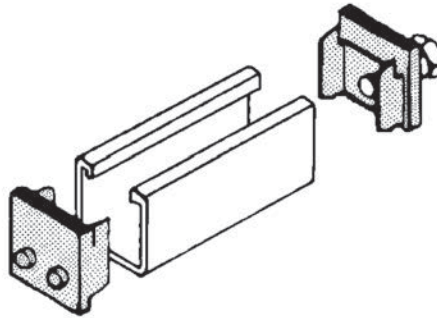
*Finishes
• GoldGalv®

| Cat. No. | Flange Width | A | Wt./C lb. | Design Load lb./ea |
|----------|---------------|--------|-----------|--------------------|
| U520* | 2-3/8 - 4-1/2 | 8-3/4 | 328 | 2000 |
| U521* | 3-3/4 - 5-3/4 | 10 | 343 | 1300 |
| U522* | 5-5/8 - 7-5/8 | 11-7/8 | 353 | 900 |

Nuts, cap screws and set screws included.

U544 Single Adjusting Screw End Cap Set

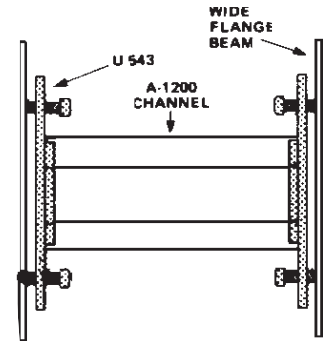
U544EG



Should be ordered as one set.
Wt./C 39 lb.

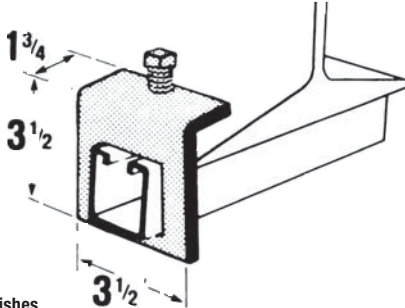
U543 Adjusting Screw End Caps

U543HDG
U543EG
U543



Should be ordered in multiples of two (2).
Wt./C 44 lb.

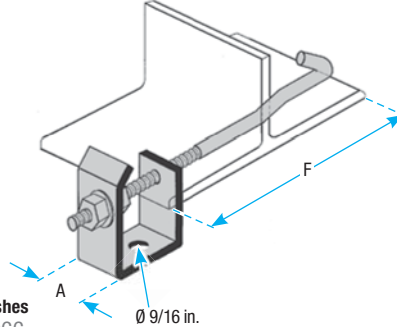
A597



*Finishes
• HDGC
• SS6C

| Cat. No. | Channel Series | Wt./C lb. | Design Load lb./ea |
|----------|----------------|-----------|--------------------|
| A597* | A | 108 | 800 |

U570-1, U570-2



*Finishes
• HDGC

| Cat. No. | A (in.) | F (in.) | Wt./C lb. | Design Load lb./ea |
|----------|---------|---------|-----------|--------------------|
| U570-1* | 1-1/2 | 4 to 9 | 240 | 800 |
| U570-2* | 1-1/2 | 7 to 17 | 300 | 800 |

| Materials | HDG(C) | EG(C) | (No suffix) | SS6(C) |
|-----------|-------------------------|---------------------|-------------|-----------------------|
| | → Hot-Dipped Galvanized | → ElectroGalvanized | → GoldGalv® | → Stainless Steel 316 |