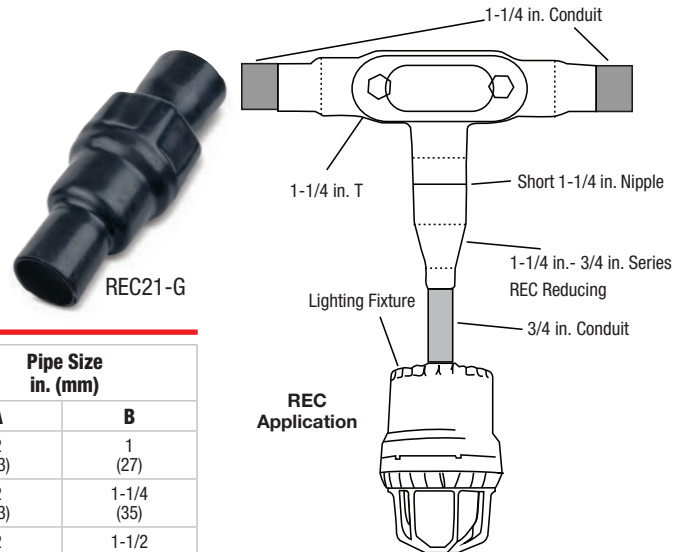


## Ordinary Location Fittings

Easily Join Two Different Sizes of Conduit!

### OCAL-BLUE™ Double-Coat Reducing Couplings

- Integral bushings in both ends prevent damage to wires
- Funnel-shaped interior guides wires from large to small conduit, making them easier to pull
- Nominal 0.002 in. (2 mils) blue urethane coating on both interior and exterior
- Nominal 0.040 in. (40 mils) PVC coating bonded to exterior
- Pressure-sealing sleeves protect connections



Cat. No.	Pipe Size in. (mm)	
	A	B
REC21_	3/4 (21)	1/2 (16)
REC31_	1 (27)	1/2 (16)
REC32_	1 (27)	3/4 (21)
REC42_	1-1/4 (35)	3/4 (21)
REC43_	1-1/4 (35)	1 (27)
REC52_	1-1/2 (41)	3/4 (21)
REC53_	1-1/2 (41)	1 (27)
REC54_	1-1/2 (41)	1-1/4 (35)
REC602_	2 (53)	3/4 (21)

Cat. No.	Pipe Size in. (mm)	
	A	B
REC603_	2 (53)	1 (27)
REC604_	2 (53)	1-1/4 (35)
REC605_	2 (53)	1-1/2 (41)
REC75_	2-1/2 (63)	1-1/2 (41)
REC86_	3 (78)	2 (53)
REC97_	3-1/2 (91)	2-1/2 (63)
REC108_	4 (103)	3 (78)
REC01210_	5 (129)	4 (103)

Metric size designator (ANSI C80.1-1994).

Cat. No.	Material	Colour
REC21-	SA = Aluminum	_ = space for colour identifier
		G = Grey
		W = White
		B = Blue

Custom colours also available - Std. min. quantities are required. Please contact your Regional Sales Office.

## Reduce a Conduit Hub to a Smaller Size

OCAL-BLUE™ Urethane-Coated Reducing Bushings

Cat. No.	Pipe Size in. (mm)	
	A - Male	B - Female
RE21-G	3/4 (21)	1/2 (16)
RE31-G	1 (27)	1/2 (16)
RE32-G	1 (27)	3/4 (21)
RE41-G	1-1/4 (35)	1/2 (16)
RE42-G	1-1/4 (35)	3/4 (21)
RE43-G	1-1/4 (35)	1 (27)
RE51-G	1-1/2 (41)	1/2 (16)
RE52-G	1-1/2 (41)	3/4 (21)

Cat. No.	Pipe Size in. (mm)	
	A - Male	B - Female
RE53-G	1-1/2 (41)	1 (27)
RE54-G	1-1/2 (41)	1-1/4 (35)
RE61-G	2 (53)	1/2 (16)
RE62-G	2 (53)	3/4 (21)
RE63-G	2 (53)	1 (27)
RE64-G	2 (53)	1-1/4 (35)
RE65-G	2 (53)	1-1/2 (41)
RE73-G	2-1/2 (63)	1 (27)

Cat. No.	Pipe Size in. (mm)	
	A - Male	B - Female
RE74-G	2-1/2 (63)	1-1/4 (35)
RE75-G	2-1/2 (63)	1-1/2 (41)
RE76-G	2-1/2 (63)	2 (53)
RE83-G	3 (78)	1 (27)
RE84-G	3 (78)	1-1/4 (35)
RE85-G	3 (78)	1-1/2 (41)
RE86-G	3 (78)	2 (53)
RE87-G	3 (78)	2-1/2 (63)



RE32-G

Cat. No.	Pipe Size in. (mm)	
	A - Male	B - Female
RE96-G	3-1/2 (91)	2 (53)
RE97-G	3-1/2 (91)	2-1/2 (63)
RE98-G	3-1/2 (91)	3 (78)
RE106-G	4 (103)	2 (53)
RE107-G	4 (103)	2-1/2 (63)
RE108-G	4 (103)	3 (78)

Also available in Aluminum (SA).

Metric size designator (ANSI C80.1-1994).