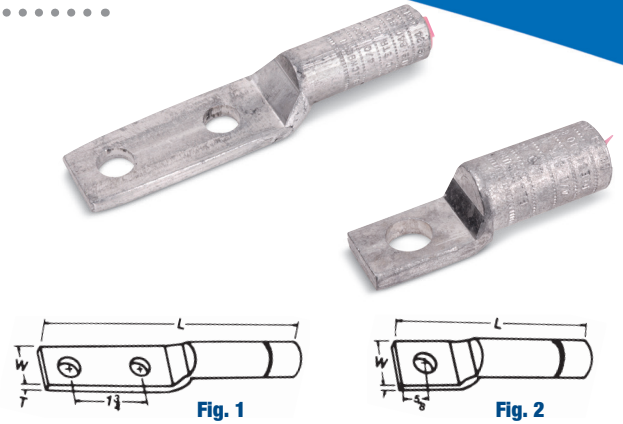


Distribution Compression Connectors

Type ALS — Aluminum Compression Terminal Lugs

- For aluminum and copper conductor
- NEMA standard mounting holes
- Prefilled with oxide inhibitor
- Complete die and crimp information clearly indented on each lug
- Install with standard tools and dies
- Use 1/2" mounting hardware for all sizes
- Available tin plated (add suffix P to catalogue number)



Cat. No.		Conductor Range			Installation Dies		Dimensions								
2 Hole (Fig. 1)	1 Hole (Fig. 2)	ACSR	AWG (Stranded)	Compact	Diameter (in.)		Mech. Tool	Hyd. Tool	W	L	T (Pad Thickness)				
					min.	max.									
AL582	AL581	4	4	-	0.277	0.213	5/8 Peach BG WBG G TU	B58CS U-BG	29/32	2-3/64	1/4				
AL584	AL583											2	2	-	0.344
AL586	AL585	1/0	1/0	2/0	0.422	0.381						2-3/64	4-3/64		
ALS1	ALS2	4	4	4	0.258	0.232						840 K840 845 TX	840 B49EA EEI 11A K840 249 76 CSA24	29/32	3-1/4
ALS3	ALS4	2	1-2	1-2	0.332	0.316								1-1/4	5-3/4
ALS5	ALS6	1/0	1/0	2/0	0.398	0.368								29/32	3-1/4
ALS7	ALS8	2/0	2/0	3/0	0.447	0.414	1-1/4	5-3/4							
ALS9	ALS10	3/0	3/0	4/0	0.502	0.464	29/32	3-1/4							
ALS11	ALS12	4/0	4/0	-	0.563	0.522	1-1/4	5-3/4							
ALS13	ALS14	3/0, 4/0	3/0, 4/0	250 300 kcmil	0.575	0.464	-	B80EA EEI 13A 655 11/8 321 96H CSA 26	1-1/4	4-5/8	38				
ALS15	ALS16	266-267, 67, 181 kcmil	250-300	350	0.633	0.574			6	4-5/8					
ALS17	ALS18	266-267, 67, 181 336-181	300-350	350-400	0.684	0.609			6	4-5/8					
ALS19	ALS20	336-307, 267, 181 397-181	336-400	450-500	0.743	0.666			6	4-5/8					
ALS23	ALS24	397-307, 267, 181 477-181	450-500	550-600	0.814	0.743			6	5-9/16					
ALS28	ALS28	477-307, 267, 247 556-181	550-556	650-700	0.883	0.846			1-3/8	6-7/8				9/16	
ALS32	ALS32	556-267, 267 636-181	600-636	750	0.940	0.891	1-5/8	7-1/4	58						
ALS44	ALS44	636-267, 715-547 666-267, 547	750-800	900	1.031	0.990	-	1-1/2 6024 125H CSA 30		1-5/8	7-1/4				
ALS60*	ALS60*	900-547 954-457	1000-1033	1033	1.172	1.151									

* For aluminum conductor only