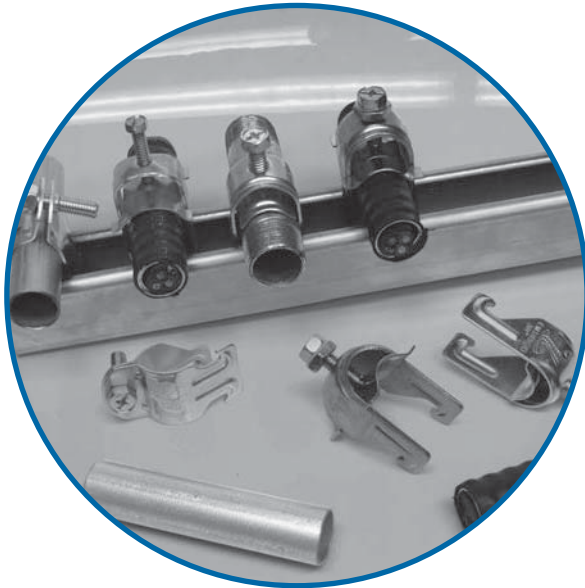


Pipe Straps, Pipe Clamps and Hangers



Design Loads

Where design loads are indicated, they provide for a safety factor of 3 in conformance with the American Standard Code for Pressure Piping.

Hanger Design

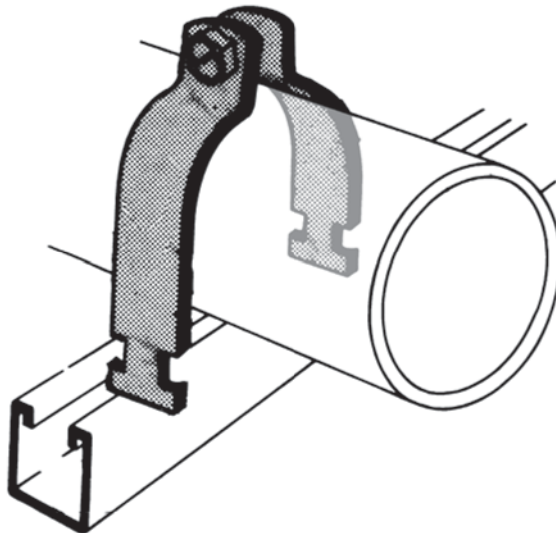
Pipe hangers are of advanced design to be user friendly.

Finishes and Special Materials

The standard finish is Electrogalvanized (EGC) or GoldGalv®. Some products are offered in Aluminum and Stainless Steel where noted.

701 O.D. Pipe and Conduit Clamp

Machine screw and nut included.



Standard Finishes and Materials

PG = Pregalvanized (i.e. 701-045PG)

AL = Aluminum (i.e. 701-045AL) with zinc plated hardware

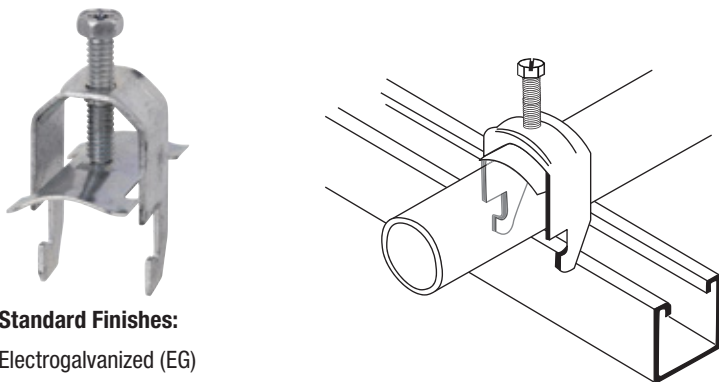
SS6 = Stainless Steel Type 316 (i.e. 701-045SS6)

N° de cat.	O.D. of pipe		Rigid Cond.	EMT Cond.	WT./C. lb.	Std. Pack
	(in.)	(mm)				
701-045PG	0.36-0.45	9-11.5	-	-	9	10
701-055PG	0.46-0.55	11.5-14	-	-	10	
701-065PG	0.56-0.65	14-17	-	-	11	
701-075PG	0.66-0.75	17-19.5	-	1/2	13	
701-088PG	0.76-0.88	19.5-22.5	1/2	-	15	
701-100PG	0.89-1.00	22.5-25.4	-	3/4	16	
701-113PG	1.01-1.13	25.5-29	3/4	-	17	
701-126PG	1.14-1.26	29-32	-	1	18	
701-140PG	1.27-1.40	32-36	1	-	18	
701-153PG	1.41-1.53	36-39	-	1-1/4	19	
701-167PG	1.54-1.67	39-42.5	1-1/4	-	20	
701-180PG	1.68-1.80	42.5-46	-	1-1/2	23	
701-193PG	1.81-1.93	46-49	1-1/2	-	26	
701-204PG	1.93-2.04	49-52	-	-	30	
701-225PG	2.10-2.25	53-57.5	-	2	32	
701-237PG	2.26-2.37	57.5-60	2	-	34	
701-245PG	2.33-2.45	59.95-62.5	-	-	36	
701-257PG	2.46-2.57	62.5-65.5	-	-	38	
701-287PG	2.75-2.87	70-73	2-1/2	2-1/2	40	
701-294PG	2.88-2.94	73-75	-	-	42	
701-306PG	2.95-3.06	75-78	-	-	42.5	
701-319PG	3.07-3.19	78-81	-	-	43	
701-350PG	3.36-3.50	85.5-89	3	3	45	
701-356PG	3.51-3.56	89-90	-	-	46	
701-379PG	3.70-3.79	94-96.5	-	-	48	
701-400PG	3.80-4.00	96.5-101.5	3-1/2	3-1/2	49	
701-450PG	4.25-4.50	108-114	4	4	70	
701-556PG	5.25-5.56	121-141	5	5	75	
701-665PG	6.25-6.65	146-170	6	6	80	
701-876PG	8.50-8.75	197-222	8	8	85	

Pipe Straps, Pipe Clamps and Hangers

Conduit and Cable Clamps

CH118 Heavy Duty Cable Clamp



Standard Finishes:

Electrogalvanized (EG)

Stainless Steel Type 316 clamp comes with Type 304 stainless steel hardware.

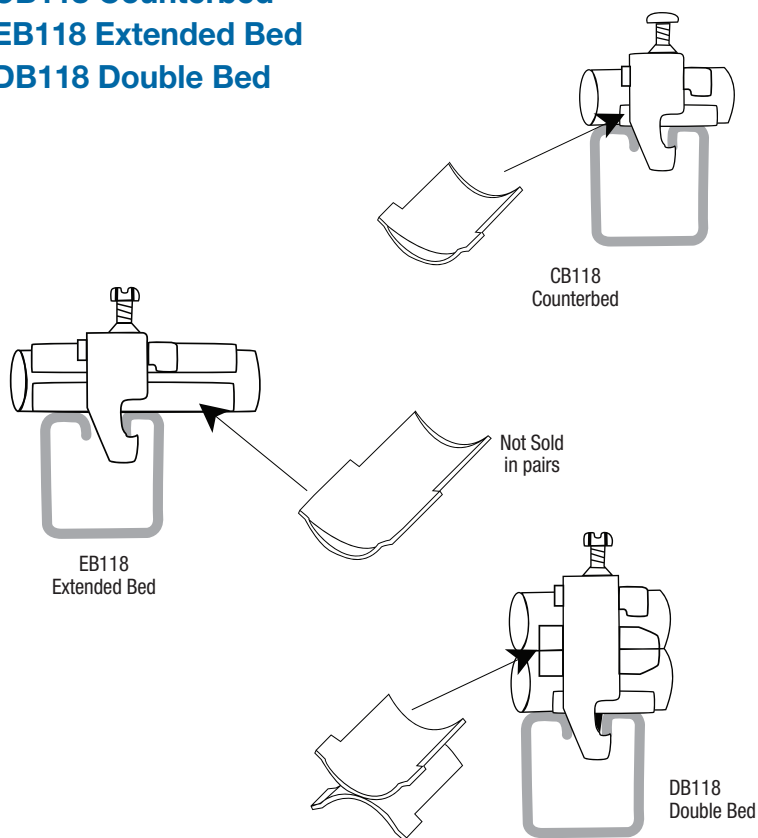
Cat. No.	O.D. of cable or pipe		Rigid Cond.	EMT Cond.	WT./C. lb.
	(in.)	(mm)			
CH118-055EG	0.40-0.55	10-14	-	-	8
CH118-081EG	0.50-0.81	13-21	1/2	1/2	9
CH118-110EG	0.70-1.10	18-28	3/4	3/4	17
CH118-125EG	0.85-1.25	22-27	3/4	1	18
CH118-135EG	1.00-1.35	26-36	1	1	19
CH118-175EG	1.33-1.75	34-44	1-1/4	1-1/4	21
CH118-205EG	1.65-2.05	42-52	1-1/2	1-1/2	24
CH118-250EG	2.12-2.50	54-64	2	2	48
CH118-300EG	2.60-3.00	66-76	2-1/2	2-1/2	54
CH118-325EG	2.75-3.25	70-82	-	-	65
CH118-375EG	3.25-3.75	82-94	3	3	105
CH118-425EG	3.75-4.25	94-110	3-1/2	3-1/2	113
CH118-475EG	4.25-4.75	110-120	4	4	124

Available in double or triple configurations.

Example: Double - CH128-047EG

Triple - CH138-047EG

CB118 Counterbed EB118 Extended Bed DB118 Double Bed



Cat. No.	Wt./C. lb.
Counterbed	
CB118-055PG	1
CB118-090PG	2
CB118-110PG	3-1/2
CB118-140PG	4
CB118-175PG	4-1/2
CB118-200PG	5
CB118-250PG	11
CB118-300PG	13
Extended bed	
EB118-047PG	4
EB118-055PG	4-1/2
EB118-090PG	6
EB118-110PG	13-1/2
EB118-140PG	16
EB118-175PG	17
EB118-200PG	20
EB118-250PG	30
EB118-300PG	38
Double Bed	
DB118-047PG	2
DB118-055PG	2
DB118-070PG	3

Standard Finishes - Pregalvanized (PG)