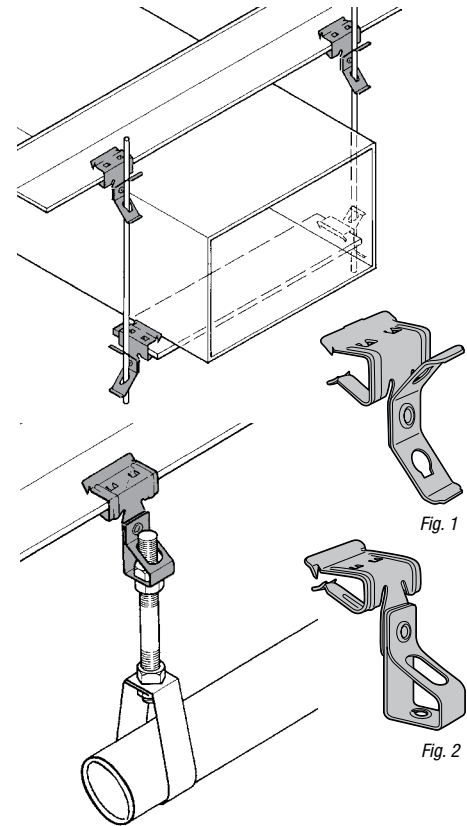


Hangers

Plain and Threaded Rod Hangers

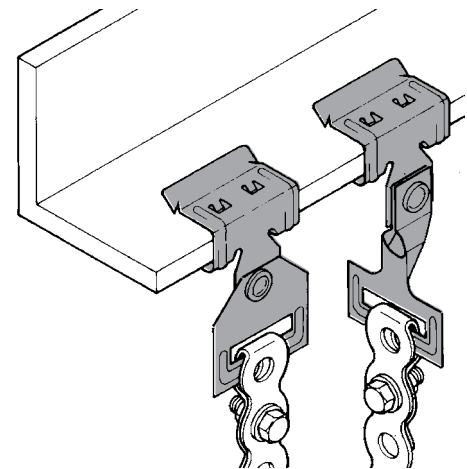
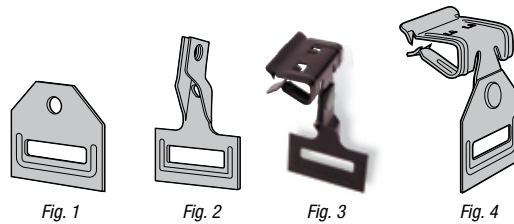
- Used to suspend #8 wire, 1/4" or 3/8" plain rod or 1/4" or 3/8" threaded rod from beam flanges 1/8" to 3/4" thick
- Supports 200 lbs. static load limit
- Installs easily with a hammer

CAT. NO.	FIG. NO.	DESCRIPTION	STATIC LOAD LIMIT (LBS.)	STD. CTN.
SSF-HB8-F1/4	1	Rod/wire to beam hanger, 1/8"-1/4" flange, #8 wire	200	25
SSF-HB8-F1/2	1	Rod/wire to beam hanger, 3/16"-1/2" flange, #8 wire	200	25
SSF-HB8-F3/4	1	Rod/wire to beam hanger, 1/4"-3/4" flange, #8 wire	200	25
SSF-HB1/4-F1/4	1	Rod/wire to beam hanger, 1/8"-1/4" flange, 1/4" plain rod	200	25
SSF-HB1/4-F1/2	1	Rod/wire to beam hanger, 3/16"-1/2" flange, 1/4" plain rod	200	25
SSF-HB1/4-F3/4	1	Rod/wire to beam hanger, 1/4"-3/4" flange, 1/4" plain rod	200	25
SSF-HB3/8-F1/4	1	Rod/wire to beam hanger, 1/8"-1/4" flange, 3/8" plain rod	200	25
SSF-HB3/8-F1/2	1	Rod/wire to beam hanger, 3/16"-1/2" flange, 3/8" plain rod	200	25
SSF-HB3/8-F3/4	1	Rod/wire to beam hanger, 1/4"-3/4" flange, 3/8" plain rod	200	25
SSF-HA1/4-F1/4T	2	Hammer-on rod hanger, 1/8"-1/4" flange, 1/4" threaded rod	200	25
SSF-HA1/4-F1/2T	2	Hammer-on rod hanger, 3/16"-1/2" flange, 1/4" threaded rod	200	25
SSF-HA1/4-F3/4T	2	Hammer-on rod hanger, 1/4"-3/4" flange, 1/4" threaded rod	200	25
SSF-HA3/8-F1/4T	2	Hammer-on rod hanger, 1/8"-1/4" flange, 3/8" threaded rod	200	25
SSF-HA3/8-F1/2T	2	Hammer-on rod hanger, 3/16"-1/2" flange, 3/8" threaded rod	200	25
SSF-HA3/8-F3/4T	2	Hammer-on rod hanger, 1/4"-3/4" flange, 3/8" threaded rod	200	25
SSF-HA3/8-F1/4	2	Rod/wire to beam hanger, 1/8"-1/4" flange, 1/4" or 3/8" threaded rod	200	25
SSF-HA3/8-F1/2	2	Rod/wire to beam hanger, 3/16"-1/2" flange, 1/4" or 3/8" threaded rod	200	25
SSF-HA3/8-F3/4	2	Rod/wire to beam hanger, 1/4"-3/4" flange, 1/4" or 3/8" threaded rod	200	25



Strap Hanger Clips

- Accepts strap widths up to 1 1/8"
- Can be attached to a wide variety of products
- Supports 100 lbs. static load limit
- Clips are made from galvanized steel



CAT. NO.	FIG. NO.	DESCRIPTION	STATIC LOAD LIMIT (LBS.)	STD. CTN.
SSF-HS	1	Strap hanger clip	200	100
SSF-HR	2	Strap hanger clip, right angle	200	100
SSF-HR-F1/4	3	Strap hanger clip, right angle, 1/8"-1/4" flange thickness	200	25
SSF-HR-F1/2	3	Strap hanger clip, right angle, 3/16"-1/2" flange thickness	200	25
SSF-HR-F3/4	3	Strap hanger clip, right angle, 1/4"-3/4" flange thickness	200	25
SSF-HS-F1/4	4	Strap hanger clip, flange thickness 1/8"-1/4"	200	25
SSF-HS-F1/2	4	Strap hanger clip, flange thickness 3/16"-1/2"	200	25
SSF-HS-F3/4	4	Strap hanger clip, flange thickness 1/4"-3/4"	200	25