

## Copper Mechanical Connectors

All the same features as the standard LOCKTITE® lug — with two or three barrels.

### LOCKTITE® Double- and Triple-Barrel NEMA-Drilled Lugs for 600V Applications

- Screw tightening
- Serrated saddle
- Built-in lockwasher
- For use with code copper conductor (600V)

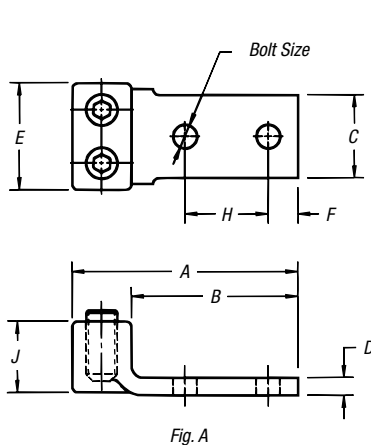


Fig. A

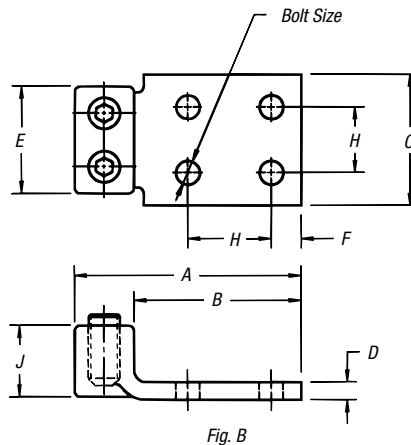


Fig. B

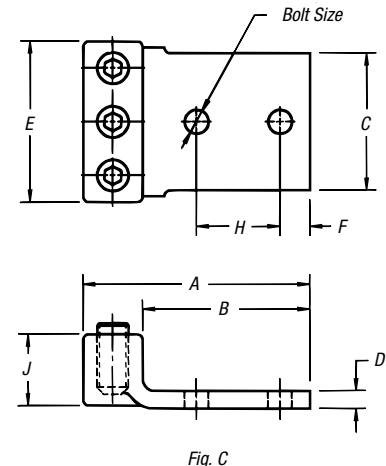


Fig. C

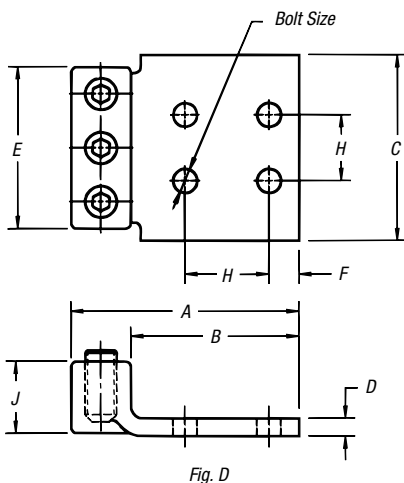


Fig. D



CAT. NO.	CABLE SIZE	FIG.	BOLT SIZE	DIMENSIONS (IN.)							
				A	B	C	D	E	F	H	J
32003BD <sup>1</sup>	14 to 8	A	¼	2 <sup>3</sup> / <sub>16</sub>	1 <sup>3</sup> / <sub>4</sub>	¾	¼	1 <sup>1</sup> / <sub>16</sub>	9 <sup>3</sup> / <sub>32</sub>	9 <sup>3</sup> / <sub>32</sub>	1 <sup>15</sup> / <sub>32</sub>
32005BD <sup>1</sup>	8 to 4	A	¼	2 <sup>1</sup> / <sub>2</sub>	2	1	¼	1	9 <sup>3</sup> / <sub>32</sub>	9 <sup>3</sup> / <sub>32</sub>	1 <sup>17</sup> / <sub>32</sub>
32007BD	4 to 1	A	¾	2 <sup>3</sup> / <sub>16</sub>	2	1 <sup>1</sup> / <sub>4</sub>	7 <sup>3</sup> / <sub>32</sub>	1 <sup>1</sup> / <sub>4</sub>	7 <sup>1</sup> / <sub>16</sub>	1	2 <sup>29</sup> / <sub>32</sub>
32009BD	1 to 2/0	A	½	4 <sup>7</sup> / <sub>16</sub>	3 <sup>1</sup> / <sub>2</sub>	1 <sup>1</sup> / <sub>2</sub>	¼	1 <sup>1</sup> / <sub>16</sub>	9 <sup>3</sup> / <sub>32</sub>	1 <sup>3</sup> / <sub>4</sub>	1 <sup>13</sup> / <sub>32</sub>
32011BD	2/0 to 4/0	A	½	4 <sup>5</sup> / <sub>8</sub>	3 <sup>1</sup> / <sub>2</sub>	1 <sup>3</sup> / <sub>4</sub>	9 <sup>3</sup> / <sub>32</sub>	1 <sup>3</sup> / <sub>4</sub>	9 <sup>3</sup> / <sub>32</sub>	1 <sup>3</sup> / <sub>4</sub>	1 <sup>15</sup> / <sub>16</sub>
32013BD	4/0 to 300	A	½	4 <sup>3</sup> / <sub>4</sub>	3 <sup>1</sup> / <sub>2</sub>	2	5 <sup>1</sup> / <sub>16</sub>	2 <sup>1</sup> / <sub>8</sub>	9 <sup>3</sup> / <sub>32</sub>	1 <sup>3</sup> / <sub>4</sub>	1 <sup>1</sup> / <sub>16</sub>
32015BD	300 to 500	A	½	5 <sup>3</sup> / <sub>8</sub>	3 <sup>15</sup> / <sub>16</sub>	2 <sup>1</sup> / <sub>2</sub>	1 <sup>1</sup> / <sub>32</sub>	2 <sup>1</sup> / <sub>2</sub>	9 <sup>3</sup> / <sub>32</sub>	1 <sup>3</sup> / <sub>4</sub>	1 <sup>13</sup> / <sub>16</sub>
32017BD	500 to 700	B	½	5 <sup>19</sup> / <sub>32</sub>	4	4	1 <sup>19</sup> / <sub>32</sub>	2 <sup>1</sup> / <sub>16</sub>	9 <sup>3</sup> / <sub>32</sub>	1 <sup>3</sup> / <sub>4</sub>	2 <sup>1</sup> / <sub>8</sub>
32019BD	750 to 1000	B	½	5 <sup>27</sup> / <sub>32</sub>	4	4	1 <sup>15</sup> / <sub>32</sub>	3 <sup>1</sup> / <sub>4</sub>	9 <sup>3</sup> / <sub>32</sub>	1 <sup>3</sup> / <sub>4</sub>	2 <sup>11</sup> / <sub>32</sub>
32011TB	2/0 to 4/0	C	½	4 <sup>5</sup> / <sub>8</sub>	3 <sup>3</sup> / <sub>8</sub>	2 <sup>1</sup> / <sub>2</sub>	9 <sup>3</sup> / <sub>32</sub>	2 <sup>3</sup> / <sub>4</sub>	9 <sup>3</sup> / <sub>32</sub>	1 <sup>3</sup> / <sub>4</sub>	1 <sup>15</sup> / <sub>16</sub>
32013TB	4/0 to 300	C	½	4 <sup>3</sup> / <sub>4</sub>	3 <sup>1</sup> / <sub>2</sub>	3	5 <sup>1</sup> / <sub>16</sub>	3 <sup>1</sup> / <sub>4</sub>	9 <sup>3</sup> / <sub>32</sub>	1 <sup>3</sup> / <sub>4</sub>	1 <sup>17</sup> / <sub>32</sub>
32015TB	300 to 500	D	½	5 <sup>3</sup> / <sub>8</sub>	4	4	1 <sup>1</sup> / <sub>32</sub>	3 <sup>3</sup> / <sub>4</sub>	9 <sup>3</sup> / <sub>32</sub>	1 <sup>3</sup> / <sub>4</sub>	1 <sup>13</sup> / <sub>16</sub>
32017TB	500 to 750	D	½	5 <sup>19</sup> / <sub>32</sub>	4	4	1 <sup>19</sup> / <sub>32</sub>	4 <sup>3</sup> / <sub>8</sub>	9 <sup>3</sup> / <sub>32</sub>	1 <sup>3</sup> / <sub>4</sub>	2 <sup>1</sup> / <sub>8</sub>
32019TB	750 to 1,000	D	½	5 <sup>27</sup> / <sub>32</sub>	4	4	1 <sup>15</sup> / <sub>32</sub>	4 <sup>1</sup> / <sub>16</sub>	9 <sup>3</sup> / <sub>32</sub>	1 <sup>3</sup> / <sub>4</sub>	2 <sup>11</sup> / <sub>32</sub>

<sup>1</sup>With Filister Head Screw.

For torque requirements, see page F-188.