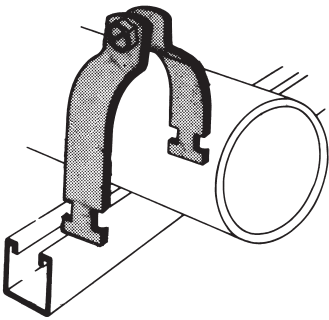


Pipe Straps, Pipe Clamps and Hangers

Conduit and Cable Clamps

701 O.D. Pipe and Conduit Clamp

Machine screw and nut included.

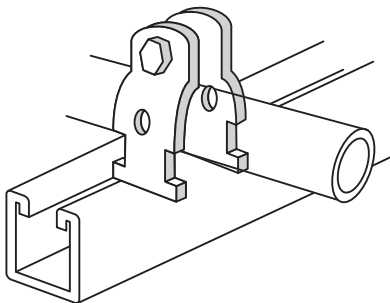


Standard Finishes and Materials

- PG = Pregalvanized (i.e. 701-045PG)
- AL = Aluminum (i.e. 701-045AL)
with zinc plated hardware
- SS6 = Stainless Steel Type 316 (i.e. 701-045SS6)
- FG = Fiberglass (in conduit sizes 1/2 to 4 in.)

Cat. No.	O.D. of pipe		Rigid Cond.	EMT Cond.	WT./C lb.	Std. Pack
	(in.)	(mm)				
701-045PG	0.36-0.45	9-11.5	-	-	9	10
701-055PG	0.46-0.55	11.5-14	-	-	10	
701-065PG	0.56-0.65	14-17	-	-	11	
701-075PG	0.66-0.75	17-19.5	-	1/2	13	
701-088PG	0.76-0.88	19.5-22.5	1/2	-	15	
701-100PG	0.89-1.00	22.5-25.4	-	3/4	16	
701-113PG	1.01-1.13	25.5-29	3/4	-	17	
701-126PG	1.14-1.26	29-32	-	1	18	
701-140PG	1.27-1.40	32-36	1	-	18	
701-153PG	1.41-1.53	36-39	-	1-1/4	19	
701-167PG	1.54-1.67	39-42.5	1-1/4	-	20	
701-180PG	1.68-1.80	42.5-46	-	1-1/2	23	
701-193PG	1.81-1.93	46-49	1-1/2	-	26	
701-204PG	1.93-2.04	49-52	-	-	30	
701-225PG	2.10-2.25	53-57.5	-	2	32	
701-237PG	2.26-2.37	57.5-60	2	-	34	
701-245PG	2.33-2.45	59.95-62.5	-	-	36	
701-257PG	2.46-2.57	62.5-65.5	-	-	38	
701-287PG	2.75-2.87	70-73	2-1/2	2-1/2	40	
701-294PG	2.88-2.94	73-75	-	-	42	
701-306PG	2.95-3.06	75-78	-	-	42.5	
701-319PG	3.07-3.19	78-81	-	-	43	
701-350PG	3.36-3.50	85.5-89	3	3	45	
701-356PG	3.51-3.56	89-90	-	-	46	
701-379PG	3.70-3.79	94-96.5	-	-	48	
701-400PG	3.80-4.00	96.5-101.5	3-1/2	3-1/2	49	
701-450PG	4.25-4.50	108-114	4	4	70	
701-556PG	5.25-5.56	121-141	5	5	75	
701-665PG	6.25-6.65	146-170	6	6	80	
701-876PG	8.50-8.75	197-222	8	8	85	

703 Universal Clamp



Cat. No.	EMT/Rigid (in.)	Conduit O.D.O	Material Thickness	Wt./C lb.	Std. Ctn.
703-1/2EG	1/2	0.706 - 0.840	16 ga.	13	100
703-3/4EG	3/4	0.932 - 1.050	14 ga.	14	100
703-1EG	1	1.163 - 1.315	14 ga.	15	100
703-1-1/4EG	1-1/4	1.508 - 1.660	14 ga.	18	50
703-1-1/2EG	1-1/2	1.738 - 1.900	14 ga.	28	50
703-2EG	2	2.195 - 2.375	14 ga.	29	50

Standard Finishes -
GoldGalv® (i.e.) 703-1/2

ElectroGalvanized (EG suffix) (i.e.) 703-1-1/2EG

One size fits both Rigid and Electric Metal Tubing (EMT).
Individually assembled with screw and nut.