

## Control Circuit Connections

### Russellstoll Line Selections for Indoor and Outdoor Applications

#### SK/SKW Multi-Pin Control Circuit to 11P12W 20A

The toughest multi-circuit, screw-termination circular connector system; use self-locking SK components indoor and collar-locking SKW components outdoor; load breaking at 20 amps. Solid brass (silver-plated) contacts ensure long life and interiors can be rebuilt. All pin counts are available from 3P4W through 11P12W, gasketed interiors in SKW.

#### Switches 125/250VAC 10A, 20A and 30A

SPST and SPDT Tumbler Switches are offered in industrial and hazardous-duty styles. Heavy-duty, copper-free aluminum housings (brass available) around selected common ratings. Switches carry AC-only ratings (see Hazardous Duty section for explosion-proof switches).

#### Interlocks through 4P5W 30A through 400A

A broad offering of performance interlocks in sheet steel, cast aluminum or brass. Automotive/Industrial welding units include 60A and 100A versions, both Heavy Service Ever-Lok® and MaxGard® lines. Switched, fused and circuit breaker versions are available as well as switchgear selections. Custom enclosures wall-mount or column-mount in standard 8" I-beam webs.



### Typical Application Groups

#### General Industrial Marine

- Lighting Systems
- Shore-to-Ship Power
- Welding Stations
- Portable Distribution Centers
- Shipboard Power Outlets
- Telephone Shore-to-Ship

#### Construction and Agriculture

- Generator Sets and Systems
- Portable Tools and Equipment
- Irrigation System Panels
- Portable Lighting and Equipment

#### Government, Municipal and Utilities

- Portable Building Power
- Army Corps of Engineers
- Utilities Panels
- Emergency Power Systems
- Sewage Pumping Stations
- Lighting and Controls

#### Industrial and OEM

- Factory Power Outlets
- HVACR Controls
- Machine Tool Controls
- Amusement Park Systems

### Usage

- Any application where electrical connections need protection from water and/or dust entering the contacts or the wiring compartment
- Cable or conduit sealing and device locking designs are critical
- Metal connectors are usually preferred for long service life

## Control Circuit Connections

20 Amp, 250 Volts AC or DC, 600 Volts AC Maximum Rating  
Load-Breaking Multi-Circuit Receptacles, Plugs, Connectors and Inlets

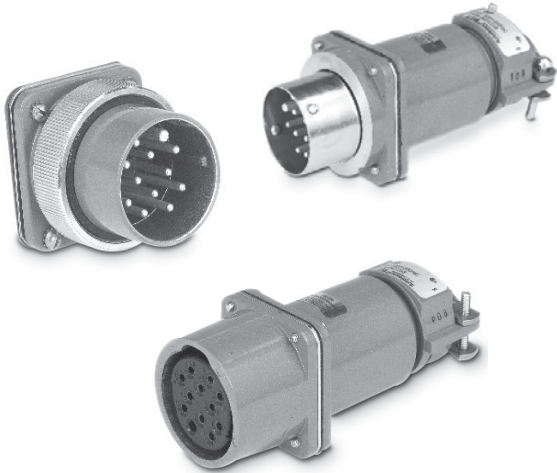
## Features and Benefits

### Type SKW

Type SKW multi-circuit receptacles, plugs, inlets and connectors are designed for outdoor NEMA 4, rough service and critical environment machinery, HVACR systems, servo control and other automatic/controlled functions requiring rugged, shock-resistant devices capable of safely breaking rated loads. These watertight and oil-tight devices are equipment grounded with ground contacts that “make first” and “break last.” Wiring space is generous. Listed ratings are for full load interrupting currents.

Both series feature simple set-screw wiring termination in a circular connector with up to 11-pole 12-wire circuit capability. A wide selection of cable bushings can be specified upon ordering at no additional charge. Conduit adapters are also available for shielded or construction usage for both SK and SKW series.

**Notes:** For more than 12 circuits, miniature connectors or rectangular format, ask about T&B Pos-E-Kon® line.



## Control Circuit Connections

Outdoor, NEMA 4 (with screw cap)  
 20 Amp Load Breaking  
 600 Volts AC Max.  
 250 Volts DC



POLES/ WIRES	FEMALE RECEPTACLE STYLE SKWR	MALE PLUG STYLE SKWP	FEMALE CONNECTOR STYLE SKWC	MALE MOTOR PLUG STYLE SKWM	CABLE BUSHING HOLE ID
2P3W	SKWR3G	SKWP3G	SKWC3G	SKWM3G	5/8"
3P4W	SKWR4G	SKWP4G	SKWC4G	SKWM4G	5/8"
4P5W	SKWR5G	SKWP5G	SKWC5G	SKWM5G	3/4"
5P6W	SKWR6G	SKWP6G	SKWC6G	SKWM6G	3/4"
6P7W	SKWR7G	SKWP7G	SKWC7G	SKWM7G	3/4"
7P8W	SKWR8G	SKWP8G	SKWC8G	SKWM8G	7/8"
8P9W	SKWR9G	SKWP9G	SKWC9G	SKWM9G	7/8"
9P10W	SKWR10G	SKWP10G	SKWC10G	SKWM10G	1"
10P11W	SKWR11G	SKWP11G	SKWC11G	SKWM11G	1"
11P12W	SKWR12XG	SKWP12XG	SKWC12XG	SKWM12XG	1 1/8"

**Note:** SKWM male inlet accommodates SKWC Connector (female). Plugs and connectors can be furnished with adapters to accommodate rigid conduit or standard connectors for armored and non-metallic cable or flexible conduit. See [page H-443](#).

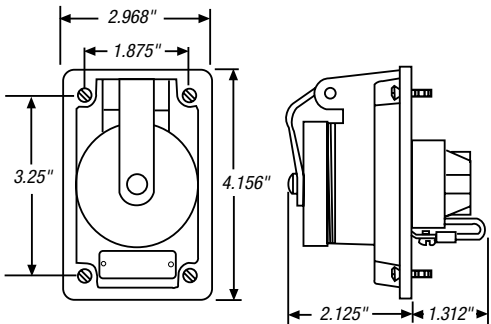
### Specifications

- Receptacle Housing: Type SKWR — Cast aluminum, corrosion-resistant copper-free alloy. Furnished with Neoprene gasket and stainless steel 6-32 mounting screws.
- Plug and Connector Housing: Heavy-cast aluminum, corrosion-resistant copper-free alloy, epoxy powder-coat finish; furnished with heavy-cast cable clamp and cable bushing.
- Conduit Boxes: Cast boxes for above receptacles are on [page H-440](#). Can be furnished with single-gang outlet box at additional cost. When required, add suffix catalog number of box to catalog number of receptacle.
- Cable Bushing: Oil-resistant, Neoprene strain relief cable bushing regularly furnished with hole size as listed. Other hole sizes available at no extra cost if specified on order. See [page H-443](#) for additional sizes.
- Protective Caps: Waterproof caps complete with mounting cable
  - Male Devices **Cat. No. F26874C** (Cup Cap)
  - Female Devices **Cat. No. F04077** (Screw Cap)
- Repair Kits: Pins/Sleeves Repair — Components for rebuild of 2-4 interiors
  - Male Devices **Cat. No. SKX12MW**
  - Female Devices **Cat. No. SKX12FA**

## Control Circuit Connections

### Receptacle

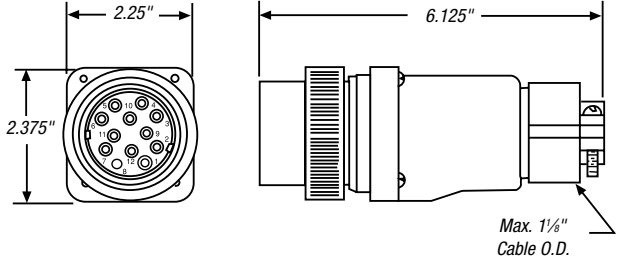
Style SKWR



Note: All require FD or DSFD series box mounting.

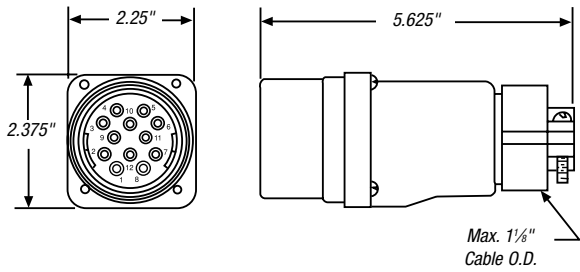
### Plug

Style SKWP



### Connector

Style SKWC



### Motor Plug

Style SKWM

