

## Connectors for Aluminum/Copper Code Conductor

For tight, secure bus-bar connections.

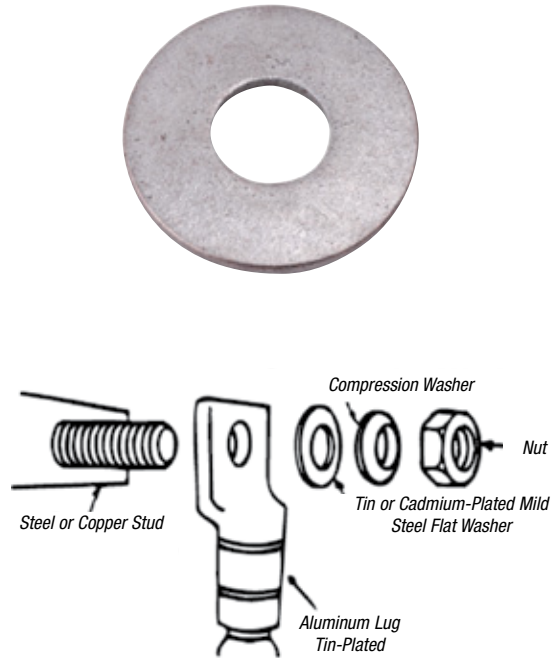
### Belleville Compression Washers

- Essential when bolting aluminum lugs and connectors to bus bars with steel or brass hardware
- Maintains constant pressure in heavy-duty, high-temperature applications
- Available with or without flat washer

When bolting aluminum lugs and connectors to bus bars with steel or brass hardware, the recommended practice to ensure a tight connection is to use a Belleville spring washer on top of a flat washer under the bolt head or nut. For heavy-duty service where the heat rise is expected to exceed 30° C above ambient, this procedure maintains constant pressure as the connector metals expand and contract with temperature changes.

CAT. NO.	BOLT SIZE (IN.)	DIMENSIONS (IN.)			
		FLAT WASHER		BELLEVILLE WASHER	
		A	B	C	D
<b>Belleville Compression Washers Plus Flat Washer</b>					
60800B	1/4	3/4	.067	1 1/16	.055
60801B	5/16	7/8	.074	1 3/16	.065
60802B	3/8	1	.083	1 5/16	.075
60803B	1/2	1 1/4	.109	1 3/4	.095
<b>Belleville Compression Washer Only</b>					
60800	1/4	—	—	1 1/16	.055
60801	5/16	—	—	1 3/16	.065
60802	3/8	—	—	1 5/16	.075
60803	1/2	—	—	1 3/4	.095
60804	3/4	—	—	1 1/2	.110

**Note:** Ordering quantity must be in unit quantities and multiples thereof.  
The Belleville washer should be installed with a larger flat washer to spread the high stresses of the spring washer edges over a large area of the lug and/or bus bar.



Quick, dependable and versatile.

### Dragon Tooth® Transition Washers

- Connect copper-to-aluminum, copper-to-copper or aluminum-to-aluminum component
- Toothed surface penetrates aluminum and copper oxides
- Lower installed cost — no need to grind aluminum surfaces, apply compounds or use spring-type washers

CAT. NO.	SIZE (IN.)	BOLT TORQUE IN LBS.
DTW14	1/4	50–80
DTW516	5/16	125–160
DTW38	3/8	160–240
DTW12	1/2	390–540
DTW58	5/8	540–730

