

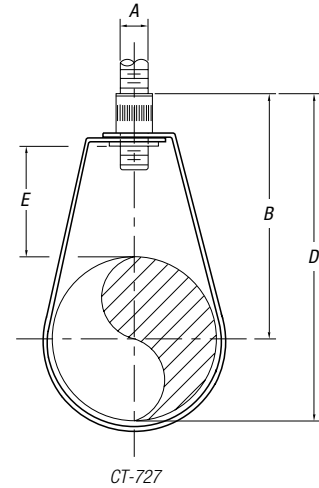
Pipe Straps, Conduit Clamps and Hangers

CT-727 — Copper Tubing Swivel Ring

Designed for the support of non-insulated static copper tubing lines. The swivel nut is knurled to provide a gripping surface when adjusting the tubing elevation.

Specifications

- Compliance: Federal Specification A-A-1192A Type 10, MSS SP-69 Type 10. We also offer Swivel Ring hangers that are for carbon steel pipe (C-727), PVC coated (C-727-P) and for NFPA requirements (C-727-NFPA) in this catalog
- Material: Carbon Steel
- Finish: Copper
- Ordering: Specify copper tubing size



CAT. NO.	PIPE SIZE (IN.)	MAX. LOAD (LBS.)	DIMENSIONS (IN.)				WT. EACH (LBS.)
			A	B	D	E	
CT727 1/2	1/2	300	3/8	2 3/8	3 1/4	1 11/16	.11
CT-727-3/4	3/4	300	3/8	2 3/8	3 1/8	1 3/8	.11
CT-727-1	1	300	3/8	2 1/2	3 1/8	1	.11
CT-727-1-1/4	1 1/4	300	3/8	2 3/4	3 1/4	1 1/16	.13
CT-727-1-1/2	1 1/2	300	3/8	2 15/16	3 3/8	1 1/8	.13
CT-727-2	2	300	3/8	3 3/16	4 1/8	1 1/16	.15
CT-727-2-1/2	2 1/2	525	3/8	4	4 3/8	1 1/8	.16
CT-727-3	3	525	1/2	4 9/16	5 3/16	1 3/16	.32
CT-727-3-1/2	3 1/2	525	1/2	4 9/16	5 5/8	1 1/8	.35
CT-727-4	4	650	1/2	5 5/16	6 1/2	1 3/16	.38
CT-727-5	5	1,000	1/2	6 1/4	8 3/8	1 3/8	.58
CT-727-6	6	1,000	1/2	7 3/16	9 3/16	2 1/4	.92

Standard Finish — GoldGalv® unless otherwise stated.

ET-727 Copper Sized Adjustable Ring

Standard Finish — GoldGalv® barrier for separation of dissimilar metals. Available in sizes 1/2" through 2". Sized for Copper Tubing.

CAT. NO.	TUBING SIZE (IN.)	ROD SIZE (IN.)	DIMENSIONS (IN.)			STOCK SIZE	MAX REC. LOAD (LBS.)	STD. CTN.
			A	B	C			
ET727 1/2	1/2	3/8	3 3/8	2 3/4	1 1/2	16 ga x 3/8	400	100
ET-727-3/4	3/4	3/8	3 1/8	2 3/8	1 1/4	16 ga x 3/8	400	100
ET-727-1	1	3/8	3 3/8	2 1/2	1	16 ga x 3/8	400	100
ET-727-1-1/4	1 1/4	3/8	3 3/4	2 1/2	1	16 ga x 3/8	400	100
ET-727-1-1/2	1 1/2	3/8	3 3/8	3	1 1/4	16 ga x 3/8	400	100
ET-727-2	2	3/8	4 1/2	3 3/8	1 1/2	16 ga x 3/8	400	100
ET-727-2-1/2	2 1/2	3/8*	5 1/2	4 3/8	2	14 ga x 1 3/16	600	100
ET-727-3	3	1/2	6 3/8	4 3/4	2	14 ga x 1 3/16	600	100
ET-727-3-1/2	3 1/2	1/2	6 3/8	4 1/2	1 1/2	14 ga x 1 3/16	600	50
ET-727-4	4	1/2*	7 3/8	5 1/4	2	14 ga x 1 1/4	1,250	100
ET-727-5	5	5/8	8 3/8	5 3/4	2	12 ga x 1 1/4	1,250	25
ET-727-6	6	5/8	9 1/2	6 3/8	1 3/8	12 ga x 1 1/4	1,250	25

2 1/2" CT filled with water weighs less than 2" IP filled with water, 4" CT less than 3 1/2" IP with water.

2 1/2" CT available with 1/2" thread and 4" CT available with 3/8" thread for Government Specs.

Standard Finish — GoldGalv®, unless otherwise stated.

