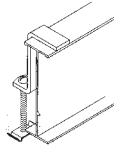
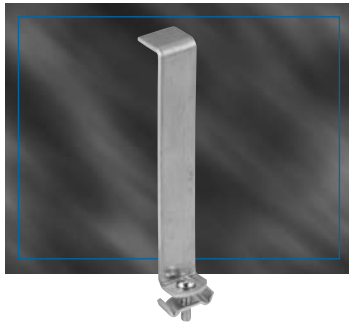


T&B® Cable Tray Aluminum

Accessories – For Covers

Combination Hold Down Cover Clamp



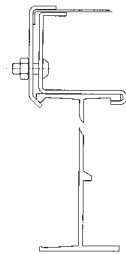
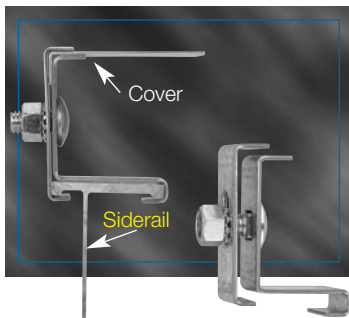
Designed to secure flat and flanged covers with hold down feature.

Catalogue Number	Material	Siderail Height
ABW-4-CCC	Aluminum	4"
ABW-5-CCC		5"
ABW-6-CCC		6"
ABW-7-CCC		7"

IMPORTANT NOTE:

"B" in catalogue number indicates this accessory can be used for both styles.

Raised Cover Clamp



Designed to raise cover above tray for added ventilation.

Catalogue Number	Material	*Cover Series	+Cover Offset
ABW(*) (+) RCC	Zinc Plated Steel	1, 2, 3	1" 2" 3"

(*) Cover series

(+) Cover offset

IMPORTANT NOTE:

"B" in catalogue number indicates this accessory can be used for both styles.

Peaked End Cap



Used for transition between peaked covers to straight covers.

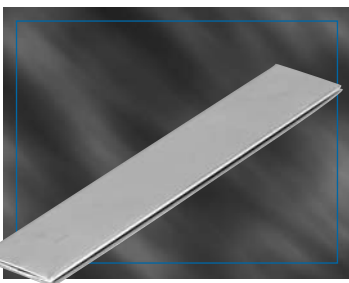
Catalogue Number	Material	*Width of Tray
ABW(*) PEC	Aluminum	6" 9" 12" 18" 24" 30" 36" 42"

(*) Width of tray

IMPORTANT NOTE:

"B" in catalogue number indicates this accessory can be used for both styles.

Cover Joint Strip



Strip used for joining covers end to end.

Catalogue Number	Material	*Width of Tray
ABW(*) SCS	Aluminum	6" 9" 12" 18" 24" 30" 36" 42"

(*) Width of Tray

IMPORTANT NOTE:

"B" in catalogue number indicates this accessory can be used for both styles.

T&B aluminum cable tray is composed of two distinct systems H-Style and U-Style. These systems are not interchangeable. Pick one system and stay with it through your project / installation. (Don't mix H and U style components on the same job.)

Thomas & Betts