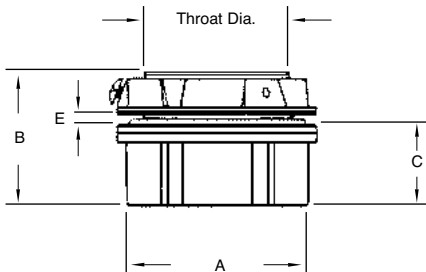
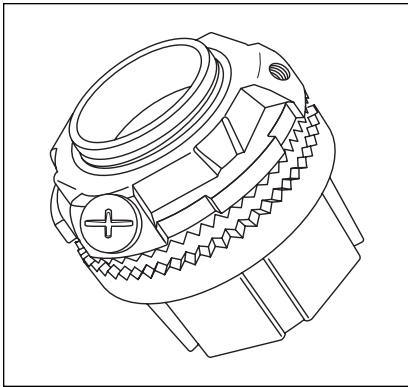


# T&B Conduit Fittings

## Rigid and Intermediate Metal Conduit Fittings



### T&B Grounding Hub



Cat. No.	Trade Size	Dimensions (in.)				
		A Dia.	B	C	D Max. Panel Thickness	E Throat Dia.
H050GR-C	1/2	1 7/16	1 9/16	7/8	3/16	1 9/32
H075GR-C	3/4	1 1/2	1 19/32	2 9/32	3/16	2 5/32
H100GR-C	1	2	1 13/16	1 1/16	1/4	1
H125GR-C	1 1/4	2 3/8	1 7/8	1 1/16	1/4	1 1/16
H150GR-C	1 1/2	2 3/4	1 7/8	1 1/16	1/4	1 17/32
H200GR-C	2	3 1/4	1 15/16	1 15/32	1/4	1 31/32
H250GR-C	2 1/2	3 3/4	2 9/16	1 9/16	1/4	2 13/32
H300GR-C	3	4 3/8	2 21/32	1 19/32	1/4	2 31/32
H350GR-C	3 1/2	5	2 23/32	1 5/8	1/4	3 13/32
H400GR-C	4	5 1/2	2 23/32	1 5/8	1/4	3 7/8
H500GR-C	5	6 7/8	3 1/2	1 15/16	1/4	4 15/16
H600GR-C	6	7 11/16	3 5/32	2	5/16	6

Material—Hub and Locknut: zinc or copper-free aluminum.

Insulating Throat: thermoplastic temp. rating—105°C; flammability rating:—94V-0.

Sealing Ring: Nitrile (BUNA "N")

For Aluminum Grounding Hubs add suffix **A** (i.e. H050GRA-C).

For Chrome Plated Hubs add suffix **CP** (i.e. H050GRCP).

For 316 Stainless Steel Hubs add suffix **SST** (i.e. H050GRSST).

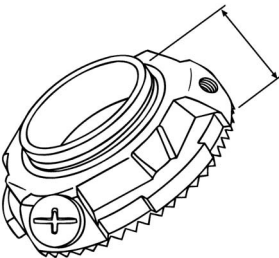
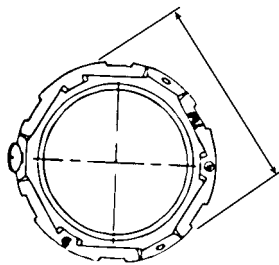
For PVC coating add suffix **PVC** (i.e. H050GRPVC-C).

Meets NEMA sealing requirements for NEMA 3R, 4 & 13 enclosures.

U.L. Listed and CSA Certified.

CSA approved for use in hazardous locations: Class I, Division 2, Class II, Divisions 1 & 2, Groups E, F & G, Class III and type 4 enclosures.

### T&B Grounding and Bonding Locknut



Grounding Locknut for Hubs

Cat. No.	Trade Size	A Dia.	B Height	Ground Screw	Max. Conductor Size
L050GR-C	1/2	1 1/2	1 3/32	#10-32 x 1/4"	#10
L075GR-C	3/4	1 11/16	1 3/32	#10-32 x 1/4"	#10
L100GR-C	1	2	1 3/32	#10-32 x 1/4"	#10
L125GR-C	1 1/4	2 3/8	1 5/32	1/4-20 x 1/4"	#10
L150GR-C	1 1/2	2 3/4	1 5/32	1/4-20 x 5/16"	#8
L200GR-C	2	3 1/4	1 5/32	1/4-20 x 3/8"	#8
L250GR-C	2 1/2	3 3/4	1 1/16	1/4-20 x 5/16"	#6
L300GR-C	3	4 3/8	2 3/32	1/4-20 x 5/16"	#6
L350GR-C	3 1/2	5	2 3/32	1/4-20 x 5/16"	#6
L400GR-C	4	5 1/2	2 3/32	1/4-20 x 5/16"	#4
L500GR-C	5	6 5/8	2 3/32	3/8-16 x 3/8"	#2
L600GR-C	6	7 11/16	2 3/32	3/8-16 x 3/8"	#1

Material—Locknut: zinc or copper-free aluminum

For Aluminum Locknuts add suffix **A** (i.e. L050GRA-C)

For Chrome Plated Locknuts add suffix **CP** (i.e. L050GR-CP)

For 316 Stainless Steel Locknuts add suffix **SST** (i.e. L050GRSST).