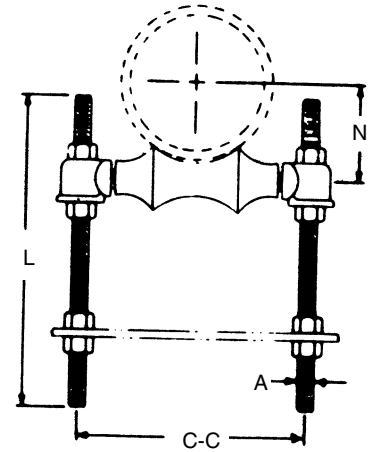
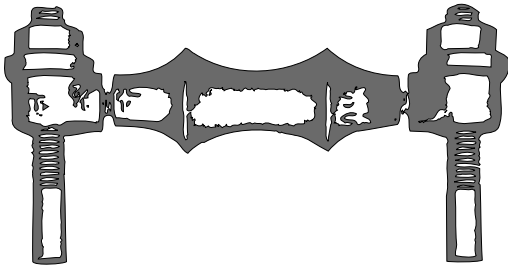


Superstrut®

Pipe Straps, Pipe Clamps & Hangers (Series 700/105)



Rollers, Shields and Saddles

RC-729

Standard Finish-Black (B)

Cast Iron roller and sockets. Carbon steel threaded rods. Used to support piping where longitudinal movement due to expansion and contraction may occur, and vertical adjustment up to 6" may be necessary.

Cat. No.	Pipe Size	A*	C-CC	L	N	Std. Ctn.
RC-729-1B	1	3/8	3 3/8	12	1 1/4	1
RC-729-1-1/4B	1 1/4	3/8	3 3/8	12	1 1/4	1
RC-729-1-1/2B	1 1/2	3/8	3 5/8	12	1 3/8	1
RC-729-2B	2	3/8	4 1/8	12	1 5/16	1
RC-729-2-1/2B	2 1/2	1/2	4 7/8	12	1 7/8	1
RC-729-3B	3	1/2	5 1/2	12	2 1/4	1
RC-729-3-1/2B	3 1/2	1/2	6 1/8	12	2 9/16	1
RC-729-4B	4	1/2	6 3/4	12	2 13/16	1
RC-729-5B	5	5/8	8 1/16	12	3 3/16	1
RC-729-6B	6	3/4	9 9/16	12	4 1/16	1
RC-729-8B	8	7/8	11 15/16	12	5 1/8	1
RC-729-10B	10	7/8	14 1/16	12	6 3/8	1
RC-729-12B	12	7/8	16 5/16	12	7 5/16	1
RC-729-14B	14	1	17 3/4	12	8 1/2	1
RC-729-16B	16	1	19 3/4	18	9 1/2	1
RC-729-18B	18	1	21 3/8	18	10 1/2	1
RC-729-20B	20	1 1/4	24 1/4	18	11 5/8	1
RC-729-18B	18	1 1/2	28 5/8	24	14	1
RC-729-20B	20	1 1/2	35 1/2	24	17 7/16	1

Standard Finish – GoldGalv®, unless otherwise stated.

Thomas & Betts