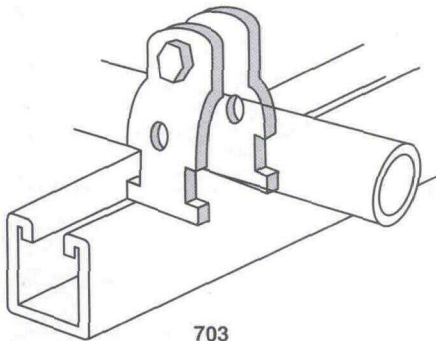


### 701 Superstrut Straps for O.D. Tubing (Continued)

Standard Finishes – GoldGalv® brand,  
 Electro-Galvanized (Silver) - use EG suffix. (i.e.) 701-1-1/2EG  
 Copper Plated - use CT prefix, eg CT701-1-1/2

Cat. No.	Tubing O.D.	Steel Strap Thickness	Design Load (lbs.)	Std. Ctn.
701-4	4"	11 ga.	1650	25
701-4-1/8	4 1/8"	11 ga.	1650	25
701-4-1/4	4 1/4"	11 ga.	1650	25
701-4-3/8	4 3/8"	11 ga.	1650	25
701-4-1/2	4 1/2"	11 ga.	1650	10
701-4-5/8	4 5/8"	11 ga.	1650	10
701-4-3/4	4 3/4"	11 ga.	1650	10
701-4-7/8	4 7/8"	11 ga.	1650	10
701-5	5"	11 ga.	1650	25
701-5-1/8	5 1/8"	11 ga.	1650	10
701-5-1/4	5 1/4"	11 ga.	1650	10
701-5-3/8	5 3/8"	11 ga.	1650	10
701-5-1/2	5 1/2"	11 ga.	1650	10
701-5-5/8	5 5/8"	10 ga.	1650	10
701-5-3/4	5 3/4"	10 ga.	1650	10
701-5-7/8	5 7/8"	10 ga.	1650	10
701-6	6"	10 ga.	1650	10
701-6-1/8	6 1/8"	10 ga.	1650	10
701-6-1/4	6 1/4"	10 ga.	1650	10
701-6-3/8	6 3/8"	10 ga.	1650	10
701-6-1/2	6 1/2"	10 ga.	1650	10
701-6-5/8	6 5/8"	10 ga.	1650	10
701-6-3/4	6 3/4"	10 ga.	1650	10
701-6-7/8	6 7/8"	10 ga.	1650	10
701-8	8"	10 ga.	1650	10



703

• For Rigid or IMC Conduit, Pipe and Electric Metal Tubing (EMT).

### 703 Universal Clamp

Standard Finishes – GoldGalv® brand,  
 Electro-Galvanized (Silver) - use EG suffix, (i.e.) 703-1-1/2EG

Cat. No.	Pipe O.D.	Material	Design Load (lbs.)	Std. Ctn.
703-1/2	.706 – .840	16 ga.	400	100
703-3/4	.932 – 1.050	14 ga.	550	100
703-1	1.163 – 1.315	14 ga.	550	100
703-1-1/4	1.508 – 1.660	14 ga.	800	50
703-1-1/2	1.738 – 1.900	14 ga.	800	50
703-2	2.195 – 2.375	14 ga.	800	50