

Accessories

Cable Drop-Out



Dimensions

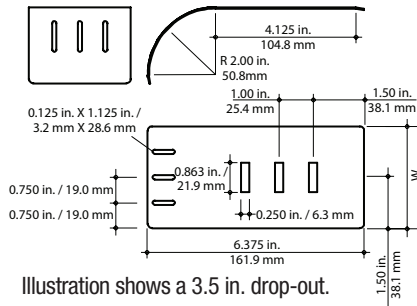


Illustration shows a 3.5 in. drop-out.

This 2 in. radius cable drop-out protects cables when exiting or entering tray by reducing the strain on the cables. The drop-out attaches to tray with built-in tabs. No hardware is required. Three different widths available in pregalvanized steel. This drop-out is suitable for use with all tray widths and heights.

EXPRESS TIP

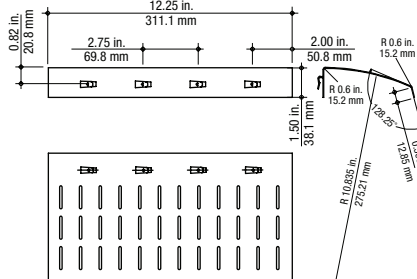
Refer to page C43 for application examples.

| Cat. No. | Material | Width (W) | | Weight | |
|---------------|---------------------|-----------|-----|---------|--------|
| | | in. | mm | lb./ea. | kg/ea. |
| ETA-CDOU17-PG | Pregalvanized Steel | 1.75 | 45 | 0.16 | 0.07 |
| ETA-CDOU35-PG | | 3.50 | 90 | 0.31 | 0.14 |
| ETA-CDOU52-PG | | 5.25 | 135 | 0.49 | 0.22 |

Large Cable Drop-Out



Dimensions



For larger cable tray widths and heavier cable loading, use the 7 in. radius large cable drop-out to protect cable exiting or entering tray runs. Available in pregalvanized steel, the large cable drop-out has a versatile slotted design that enables the use of Ty-Rap® cable ties to attach the cable bundles to the drop-out.

Use built-in tabs to attach to siderails or universal clamp (see page C25) to attach to the end of cable runs.

EXPRESS TIP

Refer to page C43 for an application example.

| Cat. No. | Material | Weight | |
|--------------|---------------------|---------|--------|
| | | lb./ea. | kg/ea. |
| ETA-CDOUL-PG | Pregalvanized Steel | 0.90 | 0.40 |