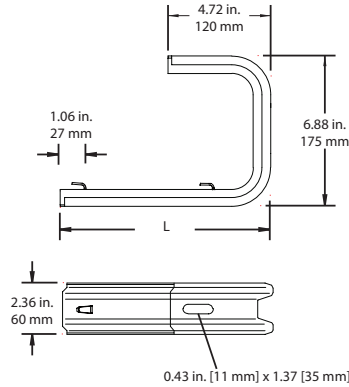


## Brackets

### “J” Style Bracket



#### Dimensions



The “J” bracket with TabLok™ profile provides a secure attachment surface requiring no additional hardware for mounting ExpressTray® to ceilings. This bracket is available in 6 in., 8 in., 10 in. and 14 in. lengths to accommodate wire basket profiles up to 12 in. wide and 4 in. high. Available in pregalvanized steel.

#### EXPRESS TIP

Refer to page C48 for an application example.

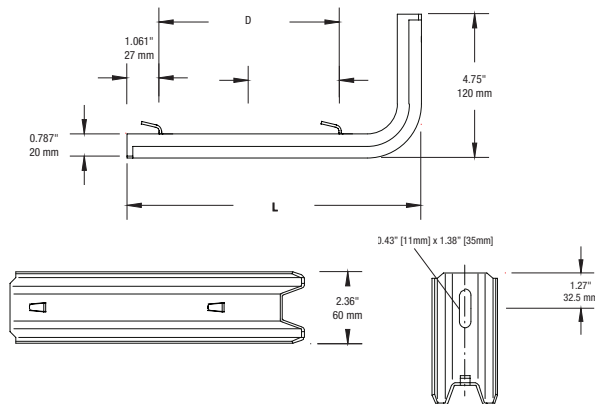


Tool required: screwdriver

Cat. No.	No. of tabs	Length (L)		Maximum Load		Weight	
		in.	mm	lb.	kg	lb./ea.	kg/ea.
ETB-JTL-06-PG	2	6	145	264	120	1.16	0.53
ETB-JTL-08-PG	2	8	195	175	80	1.30	0.59
ETB-JTL-10-PG	2	10	245	137	62	1.50	0.68
ETB-JTL-14-PG	2	14	345	100	45	1.79	0.81

### “L” Style Bracket

#### Dimensions



The “L” bracket with TabLok™ profile provides a secure attachment surface requiring no additional hardware for mounting ExpressTray® on ceilings, walls and floors. Available in 6 in., 8 in., 10 in. and 14 in. lengths to accommodate “U” and “C” profiles up to 12 in. wide and 4 in. high. Available in pregalvanized steel.

#### EXPRESS TIP

Refer to pages C48 and C49 for application examples.



Tool required: screwdriver

Cat. No.	No. of tabs	Length (L)		D		Maximum Load		Weight	
		in.	mm	in.	mm	lb.	kg	lb./ea.	kg/ea.
ETB-LS-06-PG	2	6	145	1.97	50	264	120	0.73	0.33
ETB-LS-08-PG	2	8	195	3.94	100	175	80	0.90	0.41
ETB-LS-10-PG	2	10	245	5.91	150	137	62	1.06	0.48
ETB-LS-14-PG	2	14	345	9.84	250	100	45	1.34	0.61