

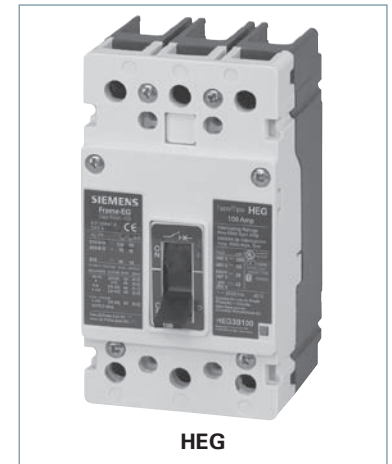
Molded Case Circuit Breakers

EG 125A Frame

Selection/Dimensions

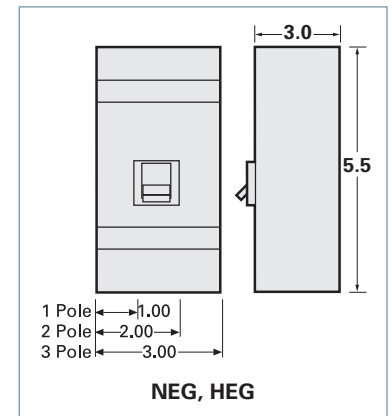
Type NEG (Cable In - Cable Out)

Continuous Ampere Rating @ 40°C	1-Pole	2-Pole	3-Pole	4-Pole
	Catalog Number	Catalog Number	Catalog Number	Catalog Number
15	NEG1B015L ^{①②}	NEG2B015L ^②	NEG3B015L	NEG4B015L
20	NEG1B020L ^{①②}	NEG2B020L ^②	NEG3B020L	NEG4B020L
25	NEG1B025L ^②	NEG2B025L ^②	NEG3B025L	NEG4B025L
30	NEG1B030L ^②	NEG2B030L ^②	NEG3B030L	NEG4B030L
35	NEG1B035L ^②	NEG2B035L ^②	NEG3B035L	NEG4B035L
40	NEG1B040L ^②	NEG2B040L ^②	NEG3B040L	NEG4B040L
45	NEG1B045L ^②	NEG2B045L ^②	NEG3B045L	NEG4B045L
50	NEG1B050L ^②	NEG2B050L ^②	NEG3B050L	NEG4B050L
60	NEG1B060L	NEG2B060L	NEG3B060L	NEG4B060L
70	NEG1B070L	NEG2B070L	NEG3B070L	NEG4B070L
80	NEG1B080L	NEG2B080L	NEG3B080L	NEG4B080L
90	NEG1B090L	NEG2B090L	NEG3B090L	NEG4B090L
100	NEG1B100L	NEG2B100L	NEG3B100L	NEG4B100L
110	NEG1B110L	NEG2B110L	NEG3B110L	NEG4B110L
125	NEG1B125L	NEG2B125L	NEG3B125L	NEG4B125L



Type HEG (Cable In - Cable Out)

Continuous Ampere Rating @ 40°C	1-Pole	2-Pole	3-Pole	4-Pole
	Catalog Number	Catalog Number	Catalog Number	Catalog Number
15	HEG1B015L ^{①②}	HEG2B015L ^②	HEG3B015L	HEG4B015L
20	HEG1B020L ^{①②}	HEG2B020L ^②	HEG3B020L	HEG4B020L
25	HEG1B025L ^②	HEG2B025L ^②	HEG3B025L	HEG4B025L
30	HEG1B030L ^②	HEG2B030L ^②	HEG3B030L	HEG4B030L
35	HEG1B035L ^②	HEG2B035L ^②	HEG3B035L	HEG4B035L
40	HEG1B040L ^②	HEG2B040L ^②	HEG3B040L	HEG4B040L
45	HEG1B045L ^②	HEG2B045L ^②	HEG3B045L	HEG4B045L
50	HEG1B050L ^②	HEG2B050L ^②	HEG3B050L	HEG4B050L
60	HEG1B060L	HEG2B060L	HEG3B060L	HEG4B060L
70	HEG1B070L	HEG2B070L	HEG3B070L	HEG4B070L
80	HEG1B080L	HEG2B080L	HEG3B080L	HEG4B080L
90	HEG1B090L	HEG2B090L	HEG3B090L	HEG4B090L
100	HEG1B100L	HEG2B100L	HEG3B100L	HEG4B100L
110	HEG1B110L	HEG2B110L	HEG3B110L	HEG4B110L
125	HEG1B125L	HEG2B125L	HEG3B125L	HEG4B125L



Line and load lugs are included as standard.
HACR rated.
Suitable for screw mounting.

Shipping Weights

Number of Poles	Number per Carton	Shipping Weight lbs. (kg)
1	1	1.1 (0.5)
2	1	2.0 (0.9)
3	1	3.1 (1.4)
4	1	3.9 (1.8)

Lugs For 60/75°C Wire

NEG/HEG		
Ampere Rating	Wire Size	Catalog Number
15-125A	#14 - 3/0 AWG Cu (steel lugs)	3TW1EG30 (qty. 3)
15-125A ^②	#14 - 1/0 AWG Cu #14 - 1/0 AWG Al	3TA1EG10 (qty. 3)
15-125A ^②	#6 - 3/0 AWG Cu #6 - 3/0 AWG Al	3TA1EG30 (qty. 3)
15-125A	Nut Keeper plate w/ screw (for crimp terminals)	TNKE3 (3-Pole) TNKE4 (4-Pole)

Interrupting Ratings

Breaker Type	Number of Poles	UL 489 AIR						IEC 60947-2						
		RMS Symmetrical Amperes (KA)						Volts AC (50/60Hz)						
		Volts AC(50/60Hz)			Volts DC			220/240		380/415		Volts DC		
NEG	1	85	35	22	—	—	35	—	85	43	—	—	35	—
	2, 3, 4	85	—	—	35	22 ^③	—	35	85	43	40	20	—	35
HEG	1	100	65	25	—	—	42	—	100	50	—	—	42	—
	2, 3, 4	100	—	—	65	25 ^③	—	42	100	50	70	35	—	42

For inches / millimeters conversion, see Application Data section.

① SWD rated.
② HID rated 277 VAC.

③ Applies to 3 & 4-pole breakers only.
④ Optional lugs for NEG and HEG breakers.

Accessories pages 7-44 and 7-95 to 7-100