

# RFID systems for the UHF frequency range

## SIMATIC RF600 transponders

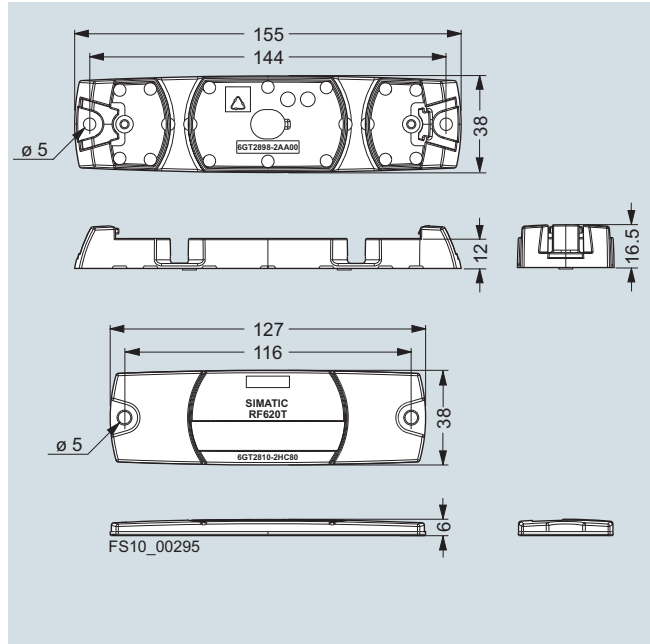
SIMATIC RF620T

### Selection and ordering data

	Order No.
<b>Container transponder</b> <b>SIMATIC RF620T</b> Frequency 860 MHz to 960 MHz (ETSI, FCC) Ordering quantity 20 units or a multiple thereof.	<b>6GT2810-2HC81</b>
<b>Accessories</b> <b>Spacer</b> For SIMATIC RF620T, for mounting on metal; dimensions L x W x H (mm) 155 x 38 x 12 Ordering quantity 20 units or a mul- tiple thereof.	<b>6GT2898-2AA00</b>



### Dimensional drawings



SIMATIC RF620T container transponder

3