



RFID systems for the HF frequency range

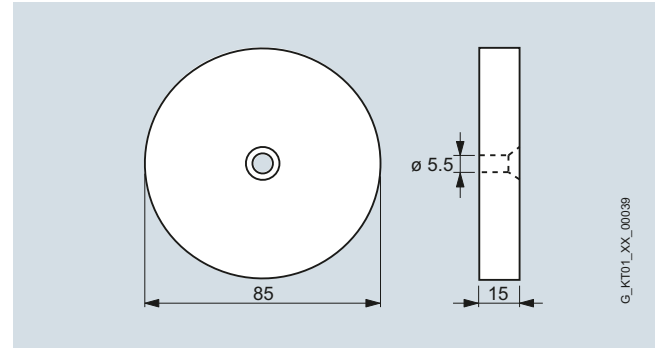
Transponders (ISO mode)

MDS D139

Selection and ordering data

	Order No.
Transponder MDS D139 112 bytes EEPROM Ordering quantity 10 units or a multiple thereof.	6GT2600-0AA10
Accessories	
Spacer Necessary for mounting onto metal surfaces. Ordering quantity 10 units or a multiple thereof.	6GT2690-0AA00
	
Quick change holder For MDS D139, stainless steel, diameter = 22 mm, height = 48 mm. Ordering quantity 10 units or a multiple thereof.	6GT2690-0AH00
	

Dimensional drawings



MDS D139 transponder



2

RFID systems for the HF frequency range

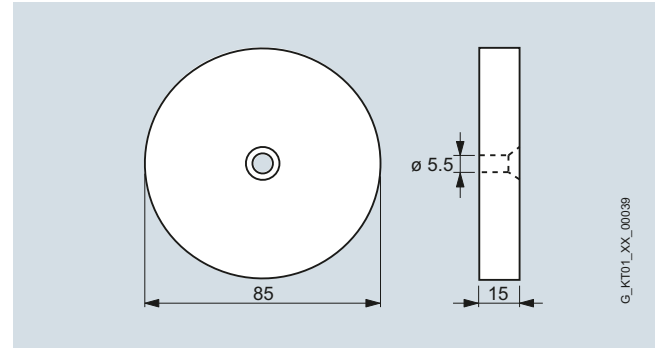
Transponders (ISO mode)

MDS D339

Selection and ordering data

	Order No.
MDS D339 ISO transponder 992 bytes EEPROM Ordering quantity 10 units or a multiple thereof.	6GT2600-3AA10
Accessories	
Spacer Necessary for mounting onto metal surfaces. Ordering quantity 10 units or a multiple thereof.	6GT2690-0AA00
	
Quick change holder For MDS D339, stainless steel, diameter = 22 mm, height = 48 mm. Ordering quantity 10 units or a multiple thereof.	6GT2690-0AH00
	

Dimensional drawings



MDS D339 ISO transponder

More information

All current approvals are listed in the Internet at:
<http://www.siemens.com/rfid-approvals>

2