

# RFID systems for the HF frequency range

## MOBY D antennas

### ANT D5

#### Overview



An ANT D5 is a universal antenna designed for warehouse, logistics and distribution applications. The high degree of protection (IP65) enables the antenna to be used under harsh industrial conditions. The antenna is designed for transponders that pass the antenna laterally.

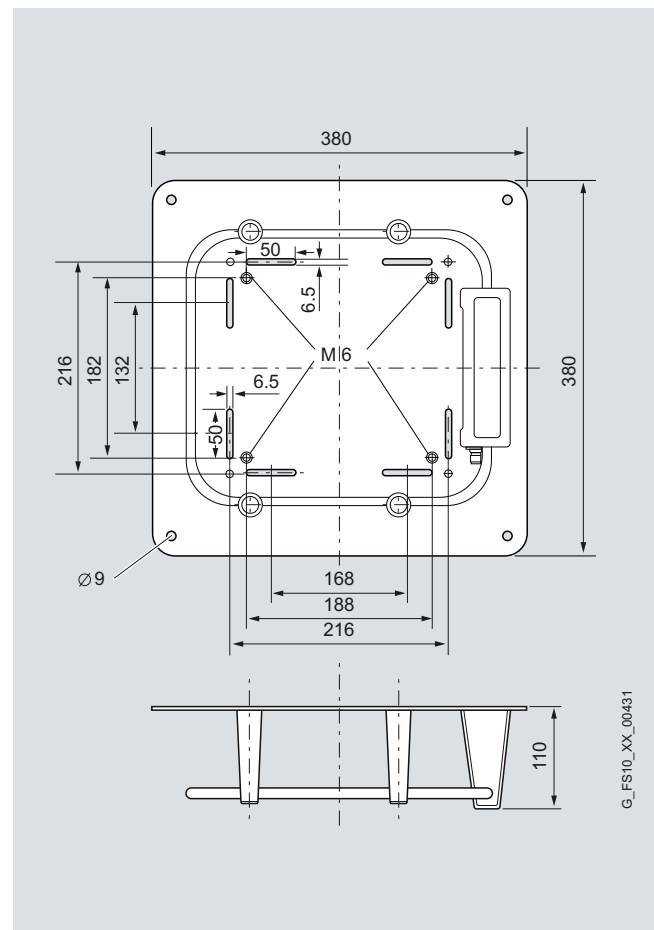
#### Technical specifications

<b>Order No.</b>	<b>6GT2 698-5AA10</b>
<b>Product type designation</b>	<b>Antenna ANT D5</b>
Suitability for use	MOBY D with SLG D10, D11
<b>Wireless frequencies</b>	
Transmission frequency rated value	13.56 MHz
<b>Mechanical data</b>	
Material	Aluminum / Plastic
Color	Black / gray
Mounting distance with regard to metal surfaces (recommended minimum)	0 m
Type of connector	1-pin TNC connector
<b>Permissible ambient conditions</b>	
Ambient temperature	
• during operation	-20 ... +55 °C
• during storage	-25 ... +70 °C
• during transport	-25 ... +70 °C
Degree of protection	IP65
Shock resistance	According to EN 60721-3-7 class 7M2
Shock acceleration	300 m/s <sup>2</sup>
Oscillation acceleration	10 m/s <sup>2</sup>
<b>Design, dimensions and weights</b>	
Width	380 mm
Height	380 mm
Depth	110 mm
Net weight	2 kg
Type of mounting	4 screws M5
<b>Standards, specifications, approvals</b>	
Certificate of suitability	CE, FCC

#### Selection and ordering data

	Order No.
<b>Antenna ANT D5</b> For SLG D10 / SLG D10S / SLG D11 / SLG D11S basic units, including antenna cable, PVC, cable length 3.3 m.	<b>6GT2 698-5AA10</b>
<b>Accessories</b>	
<b>Spacer kit</b> For ANT D5 in order to guarantee optimum field data in the metallic environments; ANT D5 is calibrated at the factory at a distance of 100 mm from metal.	<b>6GT2 690-0AB00</b>
<b>Antenna switch</b> For connecting several antennas (ANT D5 or ANT D6) to one SLG D10 / SLG D10S reader, IP65, -25 °C to +65 °C.	<b>6GT2 690-0AC00</b>
<b>SIMATIC RF260X antenna multiplexer</b> Antenna multiplexer for SLG D10; 6 x antenna outputs (for ANT D5, ANT D6 and ANT D10); IP65; 240 mm x 150 mm x 70 mm; including antenna connecting cable, cable length 0.4 m	<b>6GT2 894-0EA00</b>

#### Dimensions



Antenna ANT D5

G\_FS10\_XX\_00431