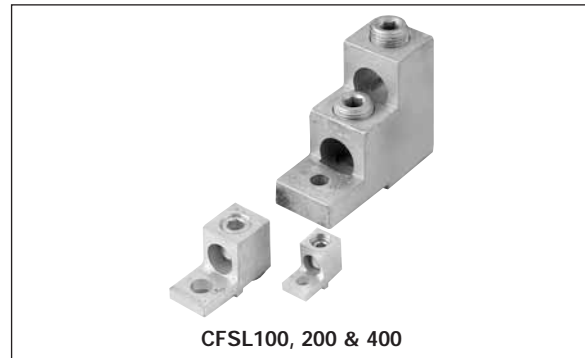
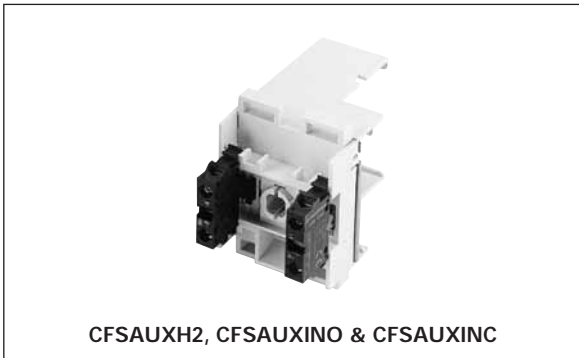


Type CFS Compact Fusible Switches



Type CFS Fusible Switch Accessories

Catalog Number	List Price \$	Description
----------------	---------------	-------------

Terminals^①

CFS L100		100A Lug Kit (6 lugs per kit)
CFS L200		200A Lug Kit (6 lugs per kit)
CFS L400		400A Lug Kit (6 lugs per kit)

Shorting Bars (no fuse kits)

CFS SB60		60A Shorting Bar Kit (3 links per kit)
CFS SB100		100A Shorting Bar Kit (3 links per kit)
CFS SB200		200A Shorting Bar Kit (3 links per kit)
CFS SB400		400A Shorting Bar Kit (3 links per kit)

Auxiliary Contacts^②

CFS AUXH1 ^②		Aux Contact Holder (30A 50kA Sws)
CFS AUXH2 ^②		Aux Contact Holder (30-400 100 & 200kA SW)
CFS AUX1NO ^②		Aux Contact 1 NO (30-400A Sws)
CFS AUX1NC ^②		Aux Contact 1 NC (30-400A Sws)

Terminal Shrouds

CFSTS100 ^⑥		100A Shroud Kit
CFSTS200 ^⑥		200A Shroud Kit
CFSTS400 ^⑦		400A Shroud Kit

Padlock Kit (when door is open)^⑧

CFS PLK		Shaft Padlocking Kit for 30A Compact Switch
---------	--	---

NFPA 79 Kits

Kits provide an operating shaft suitable for use with all heavy duty handles (not for use with CFSH5B12 or CFSH5R12). Kits also provide an internal operating handle & an internal OFF padlocking provision.

CFS NFPA1 ^④		For use with CFS361C5 & CFS361J5
CFS NFPA2 ^⑤		For use with CFS361J - CFS365J



① Supplied as standard on 30 & 60A switches.

② CFS361C5 will accept (4) aux contacts without an aux contact holder. CFS361J5 will accept (2) aux contacts without an aux contact holder. ON ALL OTHER SWITCHES CFS AUXH2 IS REQUIRED TO MOUNT AUX CONTACTS.

③ Supplied as standard on all but 30A compact switches.

④ 12.6 inch (320 mm) long operating shaft included.

⑤ 11.3 inch (288 mm) long operating shaft included.

⑥ Line side terminal shrouds supplied with switch.

⑦ Supplied on both line and load side with CFS365J switch.