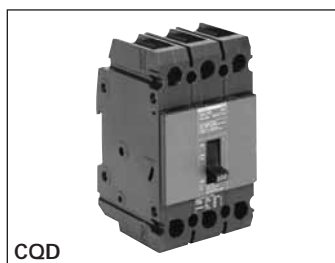
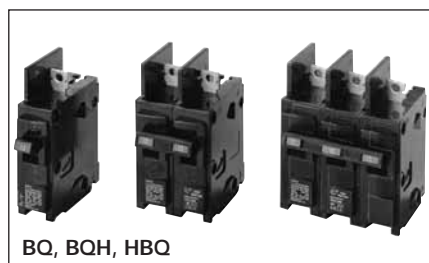


Thermal-Magnetic Trip Breakers

Page		General Purpose Breakers										
		BQ	BQH	HBQ	QJ2	QJH2	QJ2-H	HQJ2-H	CQD	NGG		
		17/12	17/12	17/12	17/14	17/14	17/14	17/14	17/15	17/16		
Ratings	AC	Poles	1, 2, 3	1, 2, 3	1, 2, 3	2, 3	2, 3	2, 3	3	1, 2, 3	1, 2, 3	
		Amperes, Continuous	1-Pole	15-70	15-70	15-50	—	—	—	—	15-100	15-125
			2-Pole	15-125	15-100	15-70	60-225	60-225	60-225	—	15-100	15-125
			3-Pole	15-100	15-100	15-100						
		Volts (50/60 Hertz)	1-Pole	120/240	120/240	120/240	—	—	—	—	277	347
			2-Pole				—	—	—	—		
			3-Pole	240	240	240	240	240	240	240	480/277	600/347
		UL Interrupting Rating — Symmetrical RMS Amperes	120V	10,000	22,000	65,000	—	—	—	—	65,000	65,000
			240V	10,000	22,000	65,000	10,000	22,000	42,000	100,000	65,000	65,000
	480V		—	—	—	—	—	—	—	14,000 ^③	25,000	
600/347V	—		—	—	—	—	—	—	10,000 ^②	14,000		
DC	Volts — 2-Pole	—	—	—	—	—	—	—	125/250	125/250		
	Interrupting Rating — DC Amperes	—	—	—	—	—	—	—	14,000	14,000		
Dimensions in inches	Height	15-50A	3.75	3.75	4.00	—	—	—	—	4.50	—	
		55-125A	4.00	4.00	4.00	—	—	—	—	4.50	—	
		60-225A	—	—	—	7.00	7.00	7.00	7.00	—	—	
	Width	1-Pole	1.00	1.00	1.00	—	—	—	—	1.00	1.00	
		2-Pole	2.00	2.00	2.00	3.00	3.00	3.00	—	2.00	2.00	
3-Pole		3.00	3.00	3.00	4.50	4.50	4.50	4.50	3.00	3.00		
Depth		2.37	2.37	2.37	2.34	2.34	2.53	2.53	2.87	2.90		
Overcurrent Devices	Thermal and Fixed Magnetic Trip	✓	✓	✓	✓	✓	✓	✓	✓	✓		
	Molded Case Switch	✓	—	—	✓	—	—	—	—	—		
Accessories & Modifications	Undervoltage Trip	—	—	—	—	—	—	—	✓	—		
	Shunt Trip	✓	✓	✓	✓ ^①	✓ ^①	✓ ^①	✓ ^①	✓	✓		
	Auxiliary Switch	✓	✓	✓	✓ ^①	✓ ^①	✓ ^①	✓ ^①	✓	✓		
	Alarm Switch	—	—	—	✓	✓	—	—	✓	✓		
	Mechanical Interlock	—	—	—	✓	✓	✓	✓	—	—		
	Fungus Proofing (ref. page 17/70)	✓	✓	✓	✓	✓	✓	✓	✓	✓		
Individual Enclosures	Type 1 — Indoor Surface	✓	✓	✓	✓	✓	✓	✓	—	✓		
	Type 1 — Indoor, Flush	✓	✓	✓	✓	✓	✓	✓	—	✓		
	Type 3R — Outdoor-Rainproof	✓	✓	✓	✓	✓	✓	✓	—	✓		



For inches / millimeters conversion, see Application Data section.

© CQD breakers are rated 14,000 KAIC at 480/277V.

① 3-pole breakers only (factory installed only).

② Type CQD6—CSA only.

Molded Case Circuit Breakers

External Accessories

Selection

Handle Ties

Provide simultaneous switching of 2 adjacent handles. Do not provide common trip.

For Use With Breaker Frame(s)	Catalog Number	List Price \$	Standard Package	Wt Lb/Std Pkg
BQ, BQH, HBQ, BLH, HBL	QTH3		50	¼

Padlocking Devices

For locking breaker in "OFF" position.

BQXD, BL, BQ, BQH, HBQ, BLH, HBL	QLD3		10	¼
One pole BL, BLF, BE, BAF	PLD1		10	¼
Two-pole BL, BLF and BE	PLD2		10	¼
All QJ	HL9419		10	¼
All BQD, CQD	BQDPLD		1	⅞
NGG	HPLG		1	¼
EG	HPLE		1	¼
All ED	ED2HPL		1	¼
All FD	FD6PL1		1	¼
All JD, LD, LMD	JD6HPL		1	¼
All MD, ND, PD, RD	MN6PLD		1	¼
STD	STDPLD■		1	1

Filler Plates

BQ, BQH, HBQ	QF3		1	¼
--------------	-----	--	---	---

Handle Blocking Devices

For holding breaker in "ON" or "OFF" position. Not a lockout/tagout device.

BL, BLH, HBL, BQXD, BQ, BQH, HBQ	QL1		25	¼
QJ2, QJH2, QJ2H, HQJ2H	QJHS1		25	1
All BQD, CQD, NGG	BQDHBD		1	¼
EG	HBDE		1	¼
All ED	E2HBL		1	¼
All FD	FD6HB1		1	½
All JD, LD, LMD	JD6HBL		1	½
All MD, ND, PD, RD	MN6BL		1	½

Handle Extensions

For replacement. One extension shipped with breaker.

All MD, ND, PD, RD	EX11		1	2
STD	EXSTD■			

Replacement Terminal Cover

NGG	RTCG3	CSO [Ⓞ]	10	¼
-----	-------	------------------	----	---

Terminal Shields

Breaker Type	Poles	Catalog Number	List Price \$	Standard Package
NGG (Line Side)	3	TSSG3A		1
NGG (Load Side)	3	TSSG3B		1
All EG	2	TSSE2		10
	3	TSSE3		10
	4	TSSE4		10



QTH3



FD Padlocking Device
FD6PLI



Padlocking Device
QLD3



Filler Plate
QF3



FD Handle Blocking Device
FD6HB1



Handle Blocking Device
QL1



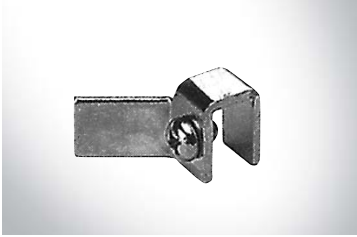
Handle Extension
EX11

■ Built to order. Allow 2-3 weeks for delivery.

Note: CSO = Consult Sales Office

Ⓞ Sold only in standard package quantities.

External Accessories



Handle Blocking Device
BQDHBD



Handle Padlock Device
HPLG
(Use BQDPLD in panelboards)



Mounting Screw Kit
MSKG4



Terminal Shield (3-pole)
TSSG3A Line
TSSG3B Load



Face Mounting Plate
FMPG1 1-pole
FMPG2 2-pole
FMPG3 3-pole



Nut Keeper Plate
TNKG3 (Kit of 3)

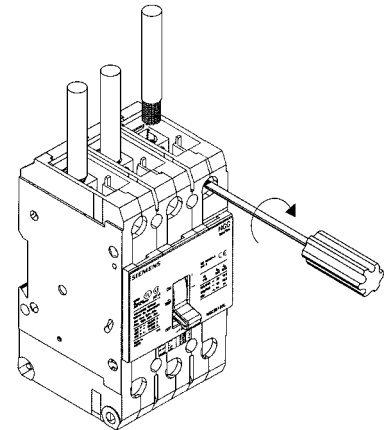
Terminal Connectors

Lug Information

Breaker Amp Rating (A)	Wire Size (AWG)	Torque Inch-lb. (NM)	Lug Catalog No.
15 – 30	#14 – #10 Al #8 Al	35 (4.0) 40 (4.5)	3TC1Q1 (pkg. of 3)
35 – 125	#8 Al or Cu #3 – 1/0 Cu #6 – #4 Al or Cu #3 – 2/0 Al	40 (4.5) 55 (6.2) 45 (5.1) 55 (6.2)	3TC1GG20 (pkg. of 3)

60/75° C wire

Includes retainer clips



It is possible to remove these terminals to allow for customer-supplied connections.

Nut Keeper Plates are available instead of lugs for use with customer-supplied connections.