

## XJ-L Bus Plugs

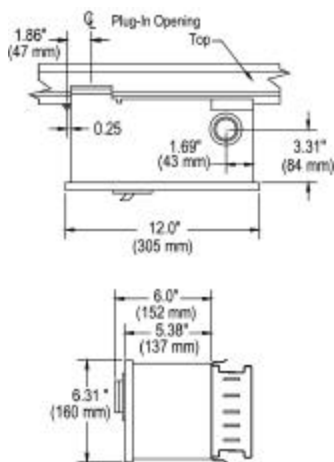
### XEC SERIES

(Cover Operable, 100A Max)

XEC Bus Plugs accept ED2 and ED4 circuit breakers. The plugs feature a spacious chassis which allows room for wire bending and knockout provisions. Isolated ground plugs are available from the factory.



Knockouts: 1", 1 1/4", 1 1/2", 2" conduit knockouts in both sides



#### Enclosures Only

Breaker Type	AC Volts	Breaker Amp Rating	3 Phase/ 3 Wire	3 Phase/ 4 Wire
			Catalog Number	
ED2	240	15 -100	XEC3100	XEC4100
ED4	480		XEC3100IG	XEC4100IG

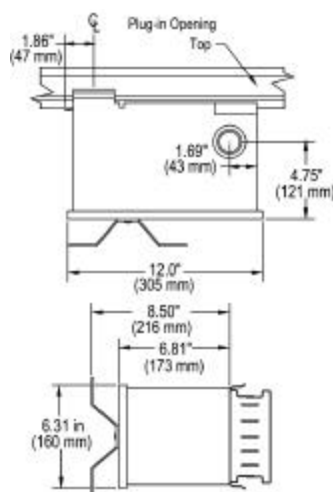
### XLEC SERIES

(Floor Operable, 100A Max)

XLEC Bus Plugs accept ED2, ED4 and ED6 circuit breakers. The plugs feature a spacious chassis which allows room for wire bending and knockout provisions. These plugs may be operated from the floor with a pull-chain or hookstick.



Knockouts: 1", 1 1/4", 1 1/2", 2" conduit knockouts in both sides



#### Enclosures Only

Breaker Type	AC Volts	Breaker Amp Rating	3 Phase/ 3 Wire	3 Phase/ 4 Wire
			Catalog Number	
ED2	240	15-100	XLEC3100	XLEC4100
ED4	480			
ED6	600			

#### ACCESSORY FOR XEC & XLEC

W62890 .....Bonded Ground Kit



W62890

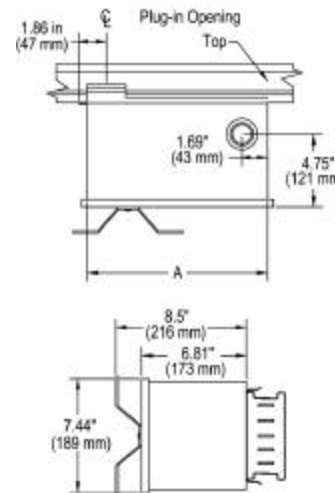
### XLVB SERIES

(Floor Operable, 100A Max)

XLVB Fusible bus plugs utilize the Vacu-Break switching principle, which minimizes arcing, and reduces maintenance costs. The Vacu-Break bus plugs are quick-make and quick-break, cover interlocked, horsepower rated and may be operated from the floor with a pull-chain or hookstick.



Knockouts: 1", 3/4", 1", 1 1/4", 1 1/2", 2" conduit knockouts in both sides



#### Fusible Vacu-Break Switch Plugs

Volts	Ampere Rating	Catalog Number	
		3 Pole	4 Pole
240	30	XLVB321	XLVB421N
	60	XLVB322	XLVB422N
	100	XLVB323	XLVB423N
600	30	XLVB351	XLVB451N
	60	XLVB352	XLVB452N
	100	XLVB353	XLVB453N

#### ACCESSORY FOR XLVB SERIES

W47185 .....ON/OFF Labels



W47185