

Ordering Information, UL Listings and File Numbers

Item	Catalog No.
Extension Handle	EX11
Mounting Screw Kit	MSPR6
Pressure Wire Connector Kits (1-5) 300-400 kcmil Cu/Al (1-5) 500-600 kcmil Cu/Al (1-4) 750 kcmil Cu Only (1-5) 300-600 kcmil Cu Only	TA 5P600 TA5P600 TA4P750 TC5R600
Handle Blocking Device	MN6BL
Padlocking Device	MN6HPL
Connect-All Mounting Blocks Standard Reverse	MB9301 MBR9302
Mechanical Interlock	MI5405
Handle Operators	
Rotary - Standard Depth Complete Mechanism Handle Only (1) Breaker Operator Standard Length Shaft	RHONSD RHOH RHONBO RHONSSD
Rotary - Variable Depth Complete Mechanism Handle Only (1) Breaker Operator Standard Length Shaft	RHONVD RHOH RHONBO RHONSVD
Max/Flex™ Flange Mounted Complete Mechanism Handle Only (2) Breaker Operator Cable Operator (3)	FHONO48 FHOHN FHONBO FHONCO48
Motor Operator 120VAC (Hinged to the right) 120VAC (Hinged to the left) 240V-AC (Hinged to the right) 240VAC (Hinged to the left)	MOMN6120 MOMN6120L MOMN6240 MOMN6240L
Enclosures Type 1	MND61
Neutral Assembly	N-2000
Door Latch Mechanism Left Side Right Side	DKL2,DKL3 DKR2,DKR3
Time Current Curves SPD6, SHPD6	TD-7209

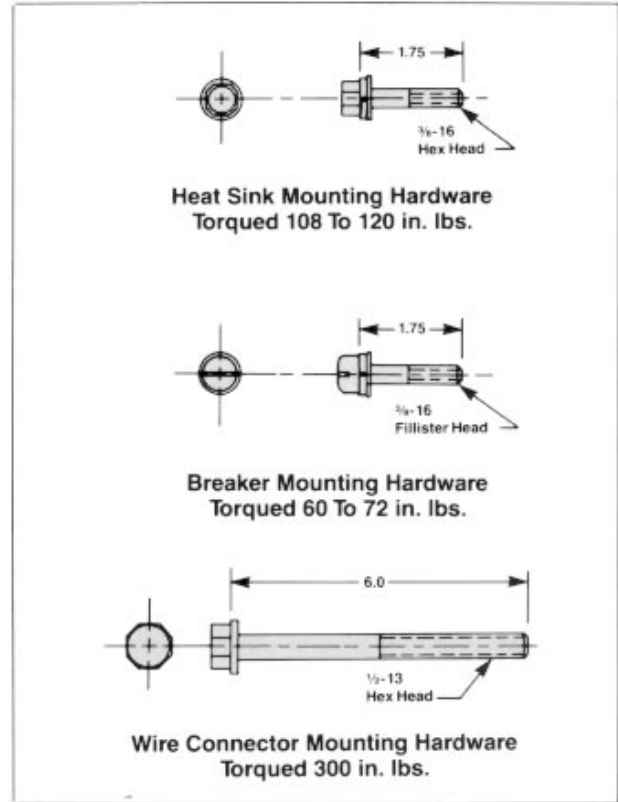
(1) For 4x application use RHOH4 handle in place of RHOH.
(2) For 4x application use FHOHN4 handle in place of FHOHN.
(3) Optional cable length of 60 in. available, order FHONCO60.

National Fire Protection Assoc. (National Electric Code-).

Federal Specification C-375B/GEN.

Underwriters Laboratories, Inc. (UL 489).

Canadian Standards Association (C22.2 No. 5).



I-T-E Item	UL-489 File Number	CSA Report Number
Breakers	E10848	LR13077
Terminal Connectors	E23615 (SP)	--
Add-On Internal		
Accessories	E69455	LR 13077
Shunt Trip		
Undervoltage Trip		
Aux. Switch		
Bell Alarm Switch		
Molded Case Switch	E68312	LR42022
Enclosures	E10848	--
Motor Operators	E102933	--

Handle Operating Forces

Operation	Lb. wo/Ext.	Lb. w/Ext.
OFF to ON	75	40
ON to OFF	85	46
TRIPPED to RESET	130	70