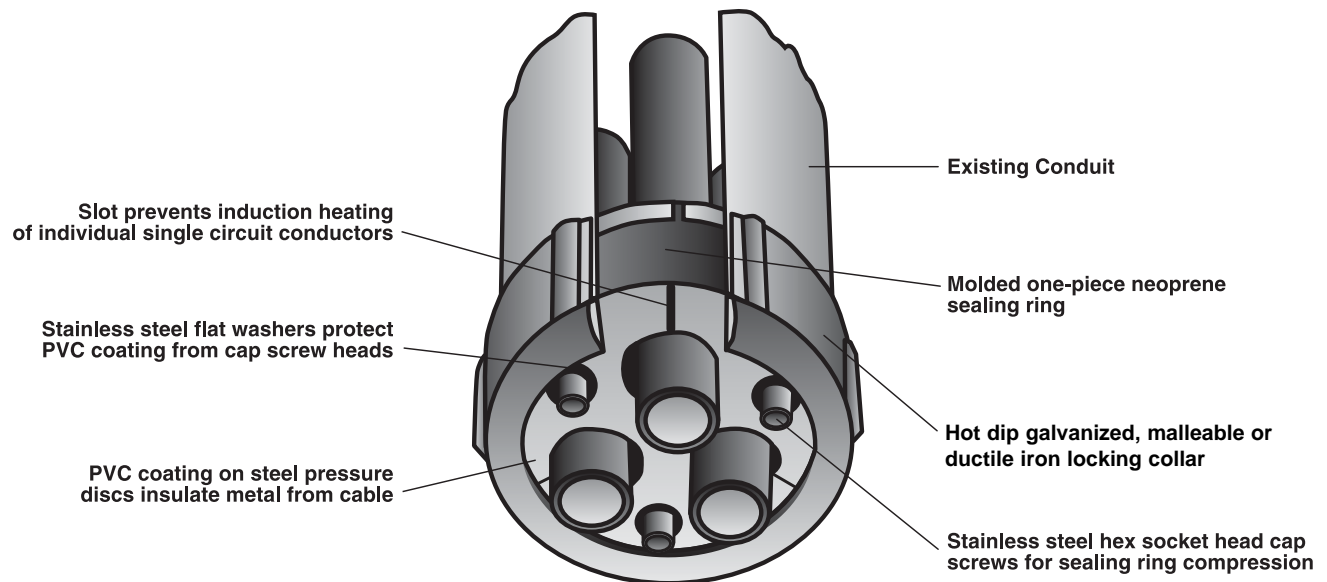


# Conduit Sealing Bushings

## Type CSB

For use with Cable



### Details of Construction:

**Pressure Discs:** Thick metal discs with custom drilled holes to accommodate cables. Steel discs are slotted at cable holes to eliminate induction heating effect of single conductor alternating current. Steel discs are PVC coated for corrosion protection, to insulate cable holes and to prevent plates from bridging to other ferrous parts. Uncoated aluminum plates are available. Copper alloy, stainless steel or phenolic discs are available at price addition.

**Screws & Washers:** Corrosion-proof stainless steel socket head screws are used to compress the two discs against the sealing ring. Hex head stainless steel machine screws are available. PVC coated discs have stainless steel washers to prevent screws from damaging coating. (Suffix - P type only.)

**Locking Collar:** Malleable iron hot dip galvanized; suffix "A" for aluminum. Gaskets are provided to prevent locking collar and end of conduit from damaging PVC coated disc. (Suffix - P type only.)

**Sealing Ring:** Thick one-piece neoprene ring custom drilled. Neoprene is specifically compounded for the following operating characteristics:

1. Low compression modulus (the ability of the neoprene sealing ring to seal with low-tightening force).
2. Very low compression set (maintain seal over extended period without having to retighten).
3. Anti-oxidant (resistance to ozone attack).
4. Anti-oxidant (resistance to weathering).
5. Low crystallization (suitable for use at low temperatures).
6. Fire retardant (will not support combustion).

For modifications or special requirements, contact your local representative for price and availability.

# Conduit Sealing Bushings

For Use with Insulated Wire, Cable and Rigid Metal Conduit

## Type CSB Series

### Type CSBE:

Seals against pressure from the outside of the fitting and to provide some support for the cables when fitting is used in vertical position as shown in illustration.

### Type CSBI:

Seals against fluids or gases that are inside a conduit and prevents them from entering an enclosure.

### Type CSBG:

Provides all the features of Types CSBE and CSBI and in addition prevents the sealing bushing from moving out of the end of the conduit should the internal pressure be high or if the fitting is used on conduit in an inverted position. The Type CSBG fittings are capable of sealing against gas or fluid pressure of 100 psig, (non-segmented) Type CSBI and CSBE – 50 psig (non-segmented.) Segmenting reduces above pressure in half. Can also be supplied with Lay-In-Lug grounding wire connector, see page QA14.

### Use:

- These conduit Sealing Bushings are used for sealing the ends of conduit in applications involving higher static gas or fluid pressures than can be handled by standard sealing bushings.
- For use with IMC or EMT, a short nipple of Rigid Metal Conduit should be used to accommodate the Conduit Sealing Bushing. For Schedule 40 PVC Conduit, contact your local representative.

### Features:

- The complete assembly is provided with 1 or multiple holes to accommodate the size and number of cables which emerge from the conduit. When the fitting is in place and the screws are tightened, the neoprene sealing ring is compressed between the metal plates and is forced against the inside wall of the conduit and also against the cable insulation to effect a complete seal at the conduit end.

- Blank fittings are available. These are intended as abandonment devices only. **Do not field drill.**
- Consult your local representative for all other applications.
- These fittings are simple to install. They eliminate the special preparation of the end of the conduit or the compounding of the conduit thread which is required on other types of sealing fittings used to seal against high pressures.

### Materials:

Slotted PVC coated steel discs, neoprene sealing ring and stainless steel socket head cap screws and washers. Locking collars on type CSBG are hot dipped galvanized malleable or ductile iron.

### Optional Materials:


Also available with aluminum or brass/bronze pressure discs (Metal Plates) on Type CSBI and CSBE bushings. To specify, substitute suffix "A" or "B" for "P" in catalog number. (Example: CSBI-200A-1) Locking Collar and Pressure Discs are also available in Aluminum or Bronze on Type CSBG Bushings. Example (CSBG-200A-1) Consult your local representative for price and availability.

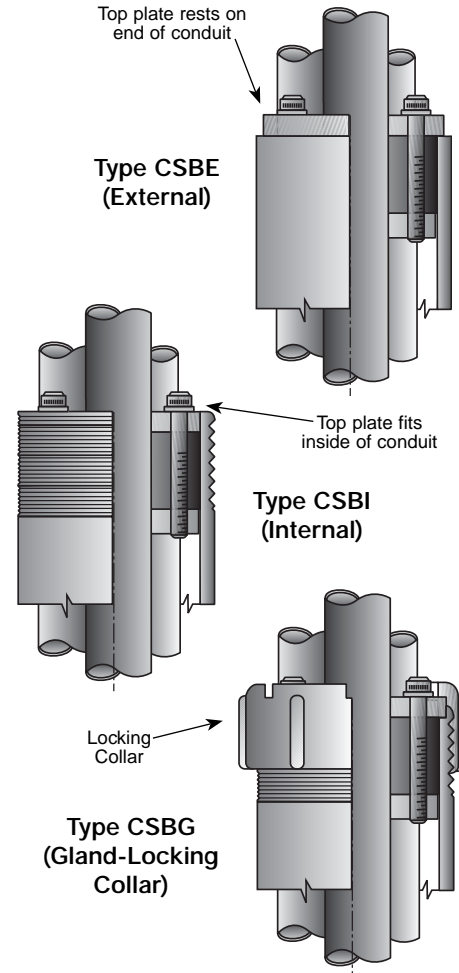
### Alternate Construction: (Catalog # SEG)

Segmented Design – Segmental pressure discs and slit-neoprene sealing ring produce a come-apart design which allows the sealing bushing to be installed without having to thread it along the cable or allows installation around cables already pulled.

Also available with slit neoprene sealing ring and one piece pressure discs.

### Third Party Certification:

UL Listed: E-11857  
 Type CSBG is Listed by Underwriters Laboratories, Inc. as an outlet bushing, service entrance seal or service head.



- TO ORDER SPECIFY:**
- 1 Catalog Number
  - 2 Conduit Size
  - 3 Number of Cables
  - 4 Outside Diameters of Cables Over Insulation
  - 5 Segmented, if Required
  - 6 Two Neoprene Sealing Rings, if required (prices on application). Suffix G-2.

Conduit Size	Max. Diameter of Wire Permitted - Inches				Type CSBE Catalog Number		Type CSBI Catalog Number		Type CSBG Catalog Number	
	1 Wire	2 Wires	3 Wires	4 Wires	Blank†	One to Four Wires	Blank†	One to Four Wires	Blank†	One to Four Wires
1½"	.78	.59	.54	.44	CSBE-150P-0	CSBE-150P-1	CSBI-150P-0	CSBI-150P-1	CSBG-150P-0	CSBG-150P-1
2"	.89	.77	.71	.59	CSBE-200P-0	CSBE-200P-1	CSBI-200P-0	CSBI-200P-1	CSBG-200P-0	CSBG-200P-1
2½"	1.32	.96	.89	.78	CSBE-250P-0	CSBE-250P-1	CSBI-250P-0	CSBI-250P-1	CSBG-250P-0	CSBG-250P-1
3"	1.89	1.26	1.13	.96	CSBE-300P-0	CSBE-300P-1	CSBI-300P-0	CSBI-300P-1	CSBG-300P-0	CSBG-300P-1
3½"	2.13	1.38	1.38	1.13	CSBE-350P-0	CSBE-350P-1	CSBI-350P-0	CSBI-350P-1	CSBG-350P-0	CSBG-350P-1
4"	2.63	1.63	1.51	1.26	CSBE-400P-0	CSBE-400P-1	CSBI-400P-0	CSBI-400P-1	CSBG-400P-0	CSBG-400P-1
5"	3.45	2.00	1.88	1.63	CSBE-500P-0	CSBE-500P-1	CSBI-500P-0	CSBI-500P-1	CSBG-500P-0	CSBG-500P-1
6"	4.32	2.44	2.21	2.07	CSBE-600P-0	CSBE-600P-1	CSBI-600P-0	CSBI-600P-1	CSBG-600P-0	CSBG-600P-1

† Blank fittings are intended as abandonment and future use devices only. Blank fittings cannot be field drilled.