

FEATURED PRODUCTS

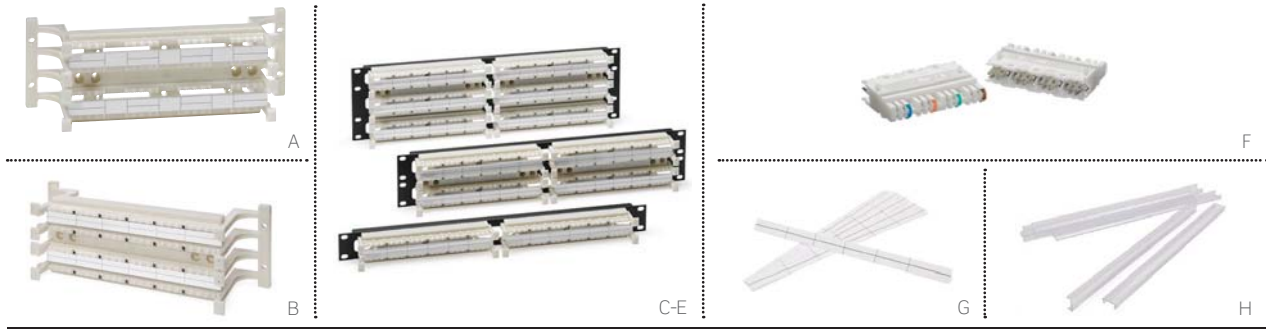
Composite Patch Panels **A15**

1RU 48-Port QuickPort® High-Density Flat & Angled Panels **A14, A16**

e2XHD Snap-In Cassette Patching System **A18**

Patch Panels & Cross Connect

Choose Leviton for all your patch panel needs. Our e2XHD high-density panels make patching easier than ever, using snap-in copper and fiber cassettes. Other popular styles include the 1RU 48-port, component-rated Cat 6A 110-style, and composite panels with a customizable face. Additional UTP and shielded panels, the patented Zero-U Vertigo®, die-cast high-density panels, recessed panels for close quarters, and two angled styles round out the industry's largest selection of patch panels.

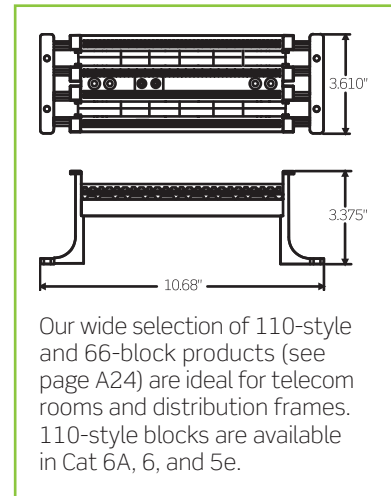


CAT 6A 110-STYLE WIRING BLOCKS

- Supports high-frequency data signals up to 500 MHz
- Can be used as a consolidation point (CP) in a TIA-defined 90-meter permanent link
- Designed to mitigate alien crosstalk (AXT)
- Independently tested and verified by Intertek (ETL) to meet all TIA component, permanent link, and channel requirements
- Available in 64-pair wall-mount block

CAT 6 110-STYLE WIRING PRODUCTS

- Supports voice, data, and security applications
- Wall-mount and rack-mount wiring block kits available in 96-, 192-, and 288-pairs
- 110-style patch cords in 110-110 and 110-T568A/B configurations
- Connector clips withstand 200 re-terminations



CAT 6A 110-STYLE WALL-MOUNT WIRING BLOCK KITS

DESCRIPTION	64-PAIR
[A] Cat 6A 110-Style Wiring Block, wall mount, with legs and C-4 clips*	41D6A-1F4

CAT 6 110-STYLE WIRING BLOCK KITS (WITH C-4 CLIPS)

DESCRIPTION	96-PAIR	192-PAIR	288-PAIR
Cat 6 110-Style Wiring Block, wall mount, without legs	41NB6-1F4	—	—
Cat 6 110-Style Wiring Block, wall mount, with legs*	[B] 41AB6-1F4	—	41AB6-3F4
Cat 6 110-Style Wiring Block, rack mount	[C] 41DR6-1F4	[D] 41DR6-2F4	[E] 41DR6-3F4

CAT 6 110-STYLE CONNECTOR CLIPS

DESCRIPTION	PART NO.
[F] Cat 6 C-4 Clips (bag of 10)	69104-IDC

110-STYLE LABELING SOLUTIONS

[G] Cat 6 Label Kit, 6/kit	41LBL-60W
[H] Label Holder, 6/kit	41100-HLD

* = Cat 6A/6 110-Style wiring block stand-off legs are non-removable. Legs not sold separately for Cat 6A/6 wiring blocks.