

True Touch™ Decora® Digital

Specifications and Features

- Simple one touch for ON at preset level, or OFF. Touch and hold for BRIGHT/DIM lighting control
- Provides single pole, 3-way or multi-location control when used with TT00R remotes
- Streamlined, popular Decora styling complements interiors and is compatible with other Decora devices
- Digital circuitry provides soft ON/fade OFF switching that extends lamp life
- Compatible with Decora Plus™ screwless wallplates and Decora wallplates
- Green LED indicates load status and serves as locator light
- Color change kits are available to allow fast color changeover and simplify stocking inventory
- Protected memory maintains light levels after short term power outages and during minor power fluctuations
- Built-in radio/TV interference filter
- Air-gap switch completely disconnects power to unit for bulb changing or removal from service
- Limited Five-Year Warranty

TRUE TOUCH DECORA DIGITAL DIMMERS FOR SINGLE POLE, 3-WAY OR MORE APPLICATIONS

Description	Rating	Cat. No.	Color
Incandescent Dimmer with LED locator	600W-120VAC	TTI06-1L	X, Z, GS
Incandescent Dimmer with LED locator	1000W-120VAC	TTI10-1L	X, Z, GS
Magnetic Low Voltage Dimmer with LED Locator	1000VA (800W)-120VAC	TTM10-1L	X, Z, GS
Coordinating Remote Dimmer for 3-way or up to 10 locations, no LED	No load rating 120VAC	TT00R-1	X, Z, GS

COLOR CHANGE KITS FOR TRUE TOUCH DECORA DIGITAL DIMMERS

Description	Cat. No.	Color
Dimmer Color Change Kit	TTKIT	W, I, A, T, G, E, WS, GI, BG
Remote Color Change Kit	TTKTR	W, I, A, T, G, E, WS, GI, BG

True Touch Decora Digital Lighting Controls are polarity-sensitive devices. Always follow the wiring instructions included with each device.

Maximum Load for Multi-Gang Applications

In multi-gang applications derating is required in accordance with the following charts. Many controls have side sections and fin removal is required (consult instruction sheets for further details).

Cat. No.	Single	2-Gang	3-Gang or more
TTI06-1L	600W	500W	400W
TTI10-1L	1000W	800W	700W
TTM10-1L	1000VA (800W)	800VA (640W)	700VA (560W)

Commercial Grade

TESTING AND CODE COMPLIANCE

- UL Listed (File #E-31373)
- CSA Certified (File #LR-3413)

MATERIAL CHARACTERISTICS

Environmental: Flammability UL-94, V2 Rating
Operating Temperature: 32°F to 130°F

COLOR

TTI06, TTI10 and TTM10 products come packaged with three colors. Products with suffix (-X) include White, Ivory and Almond; products with suffix (-Z) include White, Ivory and Light Almond; products with suffix (-GS) include White, Gold and Silver. Color change kits available in the following colors: White (-W), Ivory (-I), Almond (-A), Light Almond (-T), Gray (-G), Black (-E), White Frame/Silver Touch (-WS), Ivory Frame/Gold Touch (-GI) and Brown Frame/Gold Touch (-BG)

CAUTION ON RETROFITS

When retrofitting Mark 10[®] *Powerline* dimming ballasts into fixtures that originally had Instant Start ballasts, the sockets **MUST** be replaced with Rapid Start sockets to allow proper dimmer operation and to prevent damage to the dimming ballast. Refer to the instructions provided with the ballast and the Leviton dimmer.

NOTE: Sharing a neutral wire may cause flickering. Connect all dimmers to the same phase or run a separate neutral to each phase. Consult Leviton Techline if problems persist.



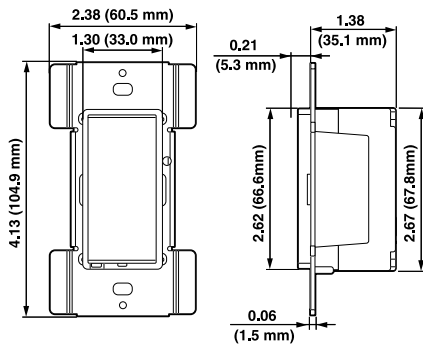
Related Products

Use Leviton Power Extenders to extend the load capacity of box mounted dimmers. Leviton Power Extenders are available for incandescent, magnetic low voltage, electronic low voltage, Mark 10[®] *Powerline* fluorescent dimming ballasts or equivalents and 0-10 VDC dimmable fluorescent ballasts such as Mark 7[®] 0-10V, OSRAM Sylvania Quicktronic[®] Helios[™] or equivalent ballasts.

See page 227 for more information.

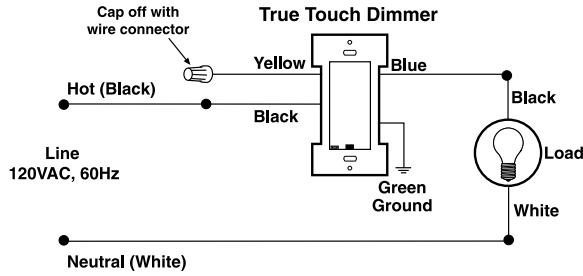
TrueTouch[™] is a trademark of Leviton Manufacturing Co., Inc.
Mark 10[®] *Powerline* and Mark 7[®] are registered trademarks of Advance Transformer Co.

DIMENSIONS

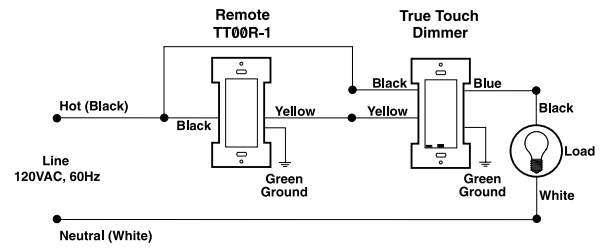


WIRING DIAGRAMS

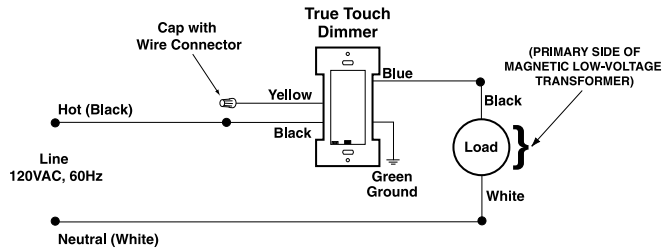
TTI06 & TTI10 single pole wiring diagram



TTI06 & TTI10 3-way wiring diagram with TT00R



TTM10 single pole wiring diagram



TTM10 3-way wiring diagram

