

MEDIUM BASE LAMPHOLDERS

Phenolic • Porcelain

Medium Base E26



INCANDESCENT

Medium Base Lampholders

Style AP sockets feature recessed wire terminals to comply with the accessibility probe requirement of UL Standard 1598

Cat. No. 2052: Style AP

Phenolic body. Overall height 1 1/2", diameter 1 1/4".

Standard screw shell is aluminum. Available with screw shell of copper alloy or copper alloy nickel plate. Standard leads are No. 18 AWG 105°C AWM-TEW plastic insulated wire, 6" long, stripped 3/4". Leads are lugged to socket. If required, available with green grounding lead or bare copper lead assembled to bracket.

Standard pack: bulk



2052-008

Cat. No. 8052: Style AP

Unglazed porcelain body. Overall body height 1 1/2", diameter 1 3/8".

Standard screw shell is aluminum. Available with screw shell of copper alloy or copper alloy nickel plate. Standard leads are No. 18 AWG 105°C AWM-TEW plastic insulated wire, 6" long, stripped 3/4". Leads are lugged to socket. If required, available with green grounding lead or bare copper lead assembled to bracket.

Standard pack: bulk

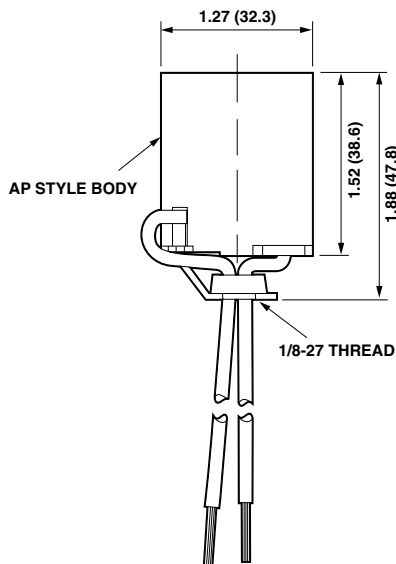
- 660W-250V
- UL Listed E-3810
- CSA Certified LR-1863
- NOM Certified 057



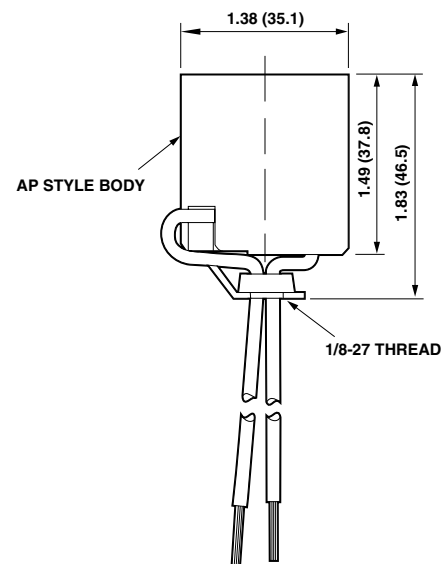
8052-008

Brackets shown on pages E6–E8.

Add bracket number to catalog number. Example: 2052-008.



Cat. No. 2052-008



Cat. No. 8052-008

SECTION E