

CIRCLINE LAMP CONNECTOR/ STARTER BASES

G10q Base

Fluorescent Circline Lamp Connector

Available in white. Four leads (black, white, blue, red) No. 18 AWG 105°C AWM-TEW plastic insulated wire, 12" long, stripped 3/4". Used with high voltage instant starting transformers.

Cat. No. 408

- 660W-600V • UL Listed E-5833 • CSA Certified LR-5863



Starter Base with Terminals

Molded in black. Screw terminals on opposite sides. 2 mounting holes, on 1-7/16" centers. Two #6-32 x 13/16" Screws and nuts are furnished.

Cat. No. 380

- 660W-250V • UL Listed E-18135 • CSA Certified LR-5863



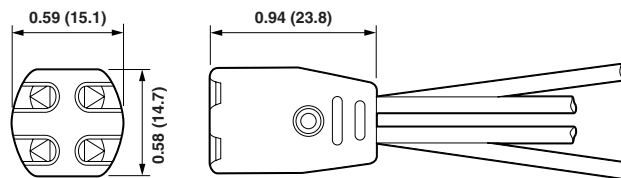
Starter Base with Leads

Cat. No. 396: Molded in black. Leads are No. 18 AWG 105°C AWM-TEW plastic insulated wire, 9" long, stripped 12". (2) #4-36 mounting screws by 7/16" long and nuts are furnished.

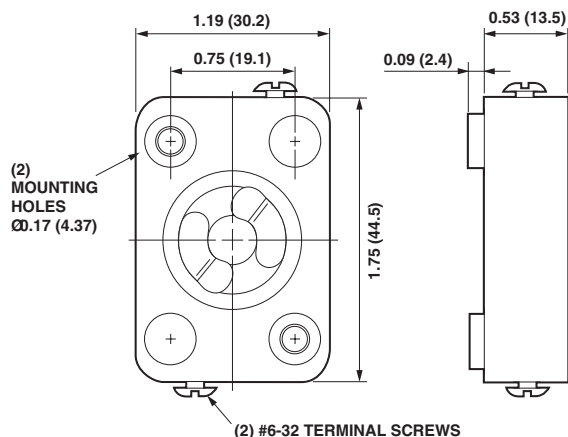
Cat. No. 396-001: Same base as 396, with mounting bracket assembled. Bracket provides #6-32 tapped holes on 1-7/16" centers. Other brackets available for special mounting applications.

Cat. No. 396-003: Same as No. 396 with holes tapped for #4-36 mounting screws. (2) 7/16" long screws furnished.

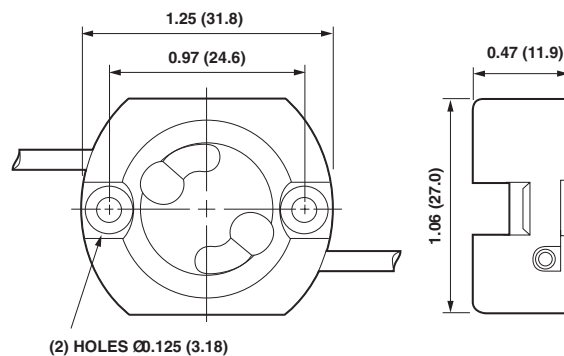
- 660W-250V • UL Listed E-18135 • CSA Certified LR-5863



Cat. No. 408



Cat. No. 380



Cat. No. 396