

MEDIUM BI-PIN STRAIGHT-IN LAMPHOLDERS

Low Profile • G13 Base



LINEAR FLUORESCENT



23151-0LU

Straight-In Lampholder with Self-Locking Device for T-8 and T12 lamps

Straight-in double-edge contacts. Body is white thermosetting plastic with movable red fiber self-locking lamplock eyeleted to body. Quickwire push-in terminals accept #18 AWG solid, solder-dipped or twisted-and-tinned. Unplated contacts are standard.

Available with captive mounting nut and #6-32 x 3/8" screw.

Standard pack: bulk

Cat. No. 13151-0LU

Lampholder with Internal Shunt

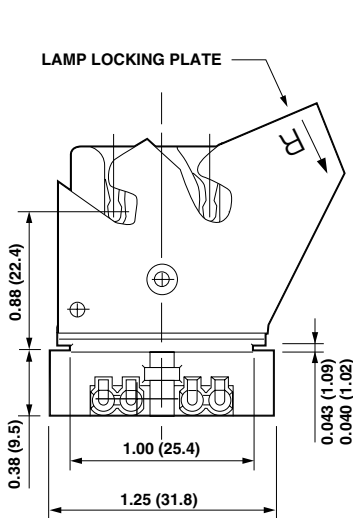
Specially designed for use with electronic ballasts.

Provides easier fixture assembly by eliminating need for jumper-wire. Large "S" identifies shunted version.

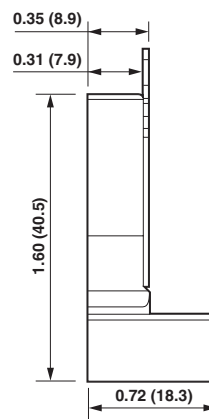
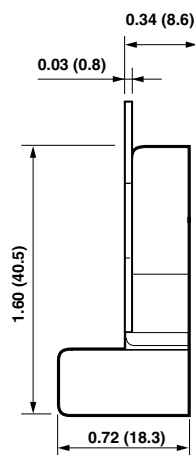
Cat. No. 23151-0LU

- 660W-600V • UL Listed E-5833 • Nom Certified 057

Cat. No.	Gauge	Description
13151-0LU	20	Lamplock less nut
13153-0LU	18	Lamplock less nut
13153-0LN	18	With captive nut less bosses
23151-0LU	20	Internally shunted less bosses



Cat. No. 13151-0LU



Cat. No. 23151-0LU

